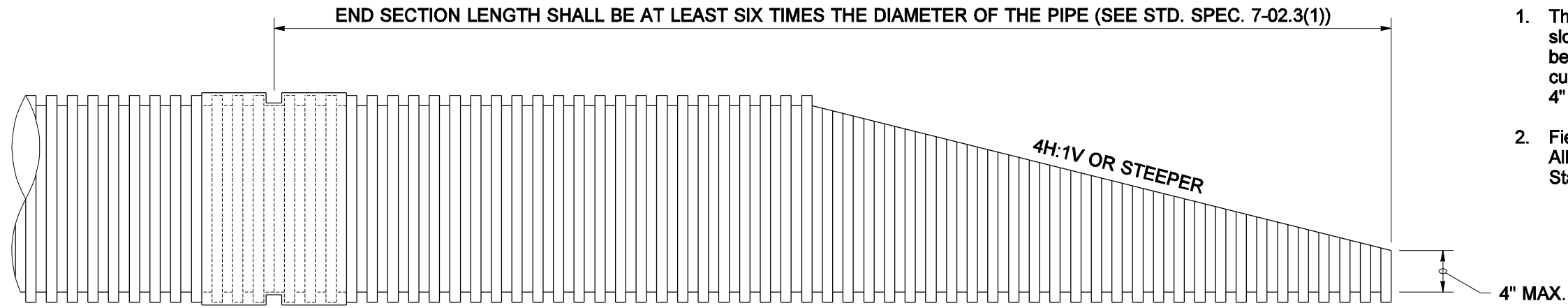
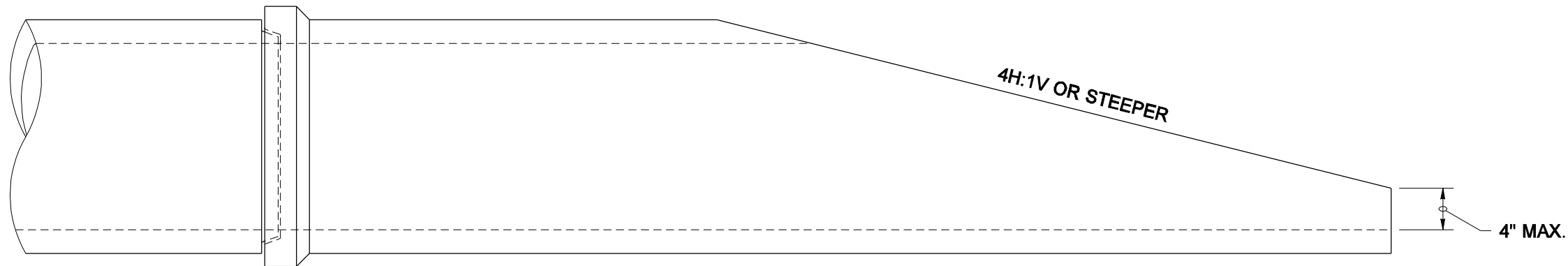


NOTES

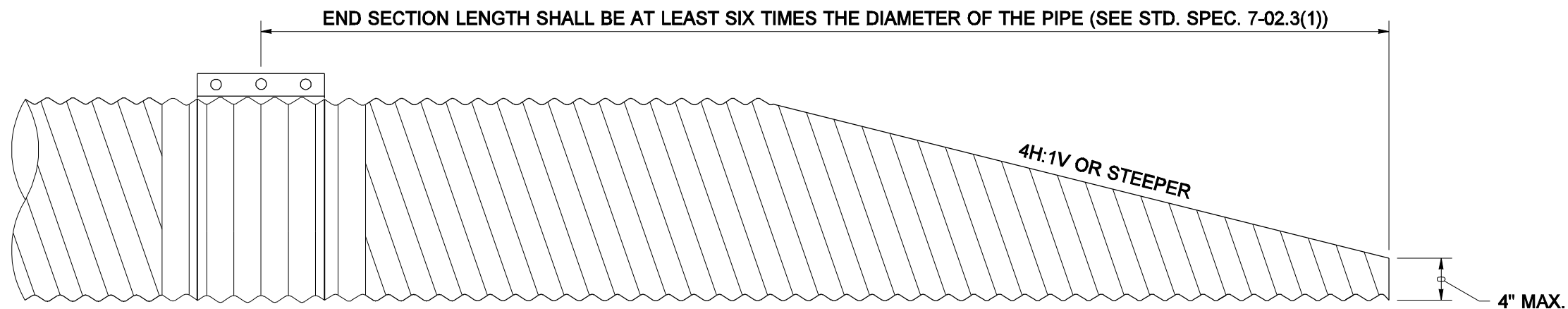
1. The culvert ends shall be beveled to match the embankment or ditch slope and shall not be beveled flatter than 4H:1V. When slopes are between 4H:1V and 6H:1V, shape the slope in the vicinity of the culvert end to ensure that no part of the culvert protrudes more than 4" above the ground line.
2. Field cutting of culvert ends is permitted when approved by the Engineer. All field-cut culvert pipe shall be treated with treatment as shown in the Standard Specifications or General Special Provisions.



THERMOPLASTIC PIPE



CONCRETE PIPE



METAL PIPE

FOR CULVERTS 30" DIAMETER OR LESS

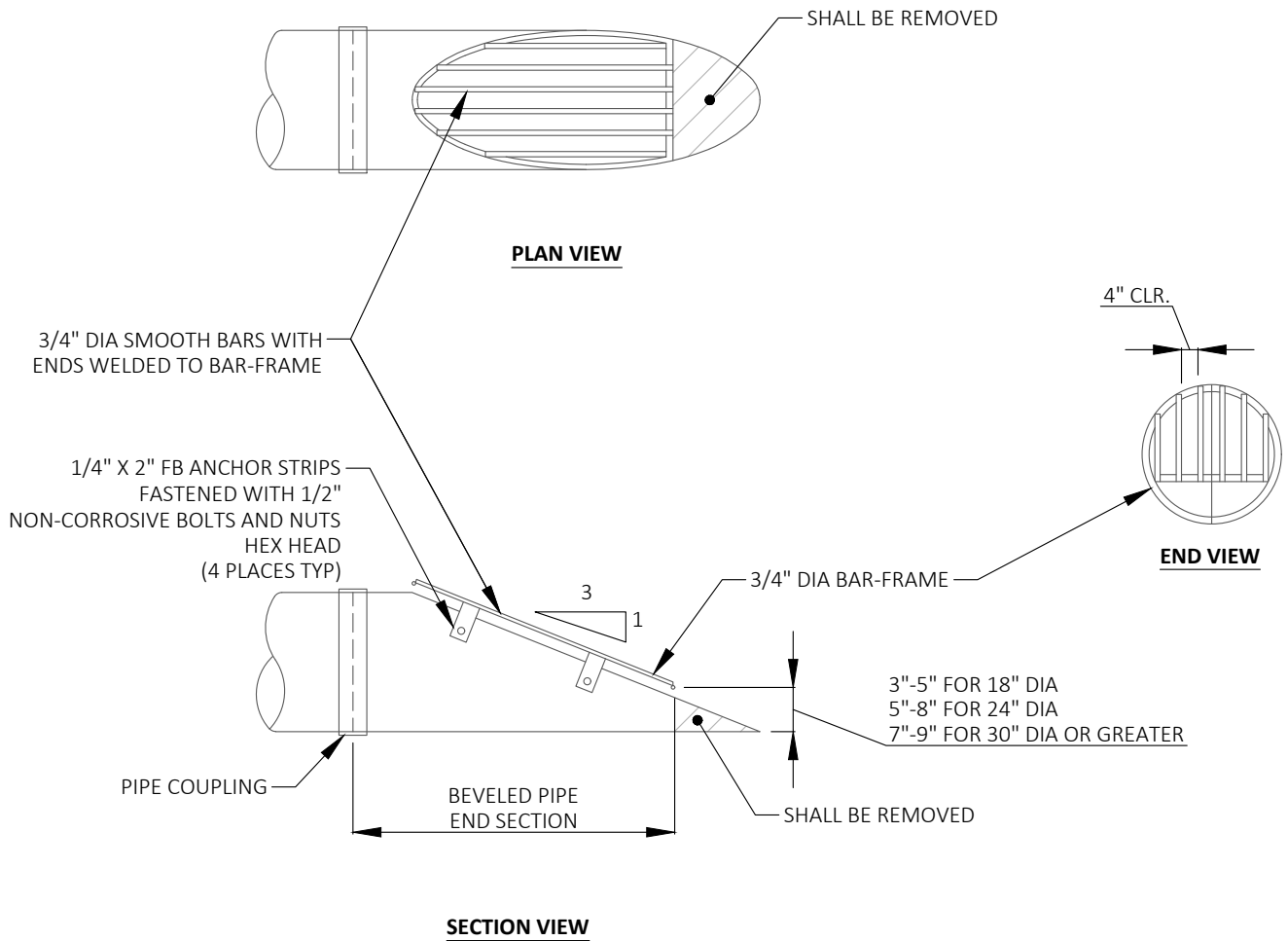


EXPIRES JULY 1, 2007

NOTE: THIS PLAN IS NOT A LEGAL ENGINEERING DOCUMENT UNTIL AN ELECTRONIC OR PLATE. THE ORIGINAL, SIGNED BY THE ENGINEER AND APPROVED FOR PUBLICATION, IS KEPT ON FILE AT THE WASHINGTON STATE DEPARTMENT OF TRANSPORTATION. A COPY MAY BE OBTAINED UPON REQUEST.

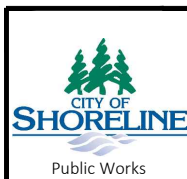
BEVELED END SECTIONS
STANDARD PLAN B-70.20-00
 SHEET 1 OF 1 SHEET

APPROVED FOR PUBLICATION
Harold J. Peterfeso 06-01-06
 STATE DESIGN ENGINEER DATE
 Washington State Department of Transportation



NOTES:

1. CMP END-SECTION SHOWN. FOR CONCRETE PIPE BEVELED END-SECTION, SEE WSDOT STD B-70.20-00.
2. ALL PARTS MUST BE ALUMINUM OR STAINLESS STEEL.
3. TRASH RACKS REQUIRED ON ALL PIPES 18" AND LARGER IN DIAMETER OR AS DIRECTED BY ENGINEER.



PUBLICATION DATE: **3/1/2022**

REVISION DATE: **2/10/2021**

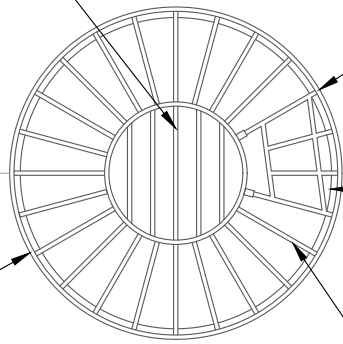
STANDARD DETAIL NUMBER: **702**

SCALE: **NOT TO SCALE**

TRASH RACK

3/4" DIAMETER SMOOTH BARS
EQUALLY SPACED (4" O.C. MAX)

4 HOOK CLAMPS EVENLY PLACED
SEE DETAIL BELOW.



PROVIDE MAINTENANCE ACCESS
BY WELDING 4 CROSSBARS TO 4
VERTICAL BARS AS SHOWN. HINGE
UPPER ENDS WITH FLANGES/BOLTS
AND PROVIDE LOCKING
MECHANISM (PADLOCK) ON
LOWER END. LOCATE STEPS
DIRECTLY BELOW.

LOWER STEEL BAND 3/4"x 4" WIDE
FORMED TO FIT IN GROOVE OF CB
RISER

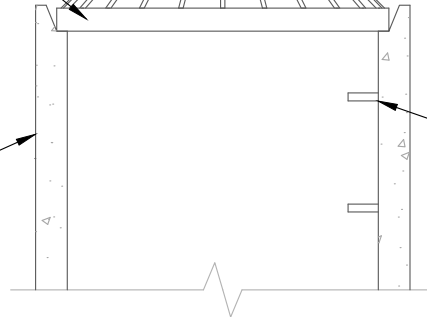
PLAN VIEW

UPPER STEEL BAND 3/4"x 4"
WIDE

LOWER STEEL BAND 3/4"x 4" WIDE
FORMED TO FIT IN GROOVE OF CB
RISER

24"
SEE NOTE 1

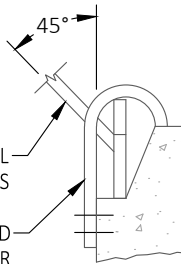
3/4" DIA SMOOTH ROUND BARS
WELDED TO UPPER AND LOWER
BANDS. EQUALLY SPACED. BARS SHALL
BE EVENLY SPACED (SEE NOTE 1)



STANDARD LADDER

CB TYPE 2

SECTION A



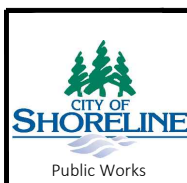
SMOOTH VERTICAL
BARS
HOOK CLAMP ANCHORED
TO CB RISER

CB RISER

**DETAIL HOOK CLAMP
NTS**

NOTES:

1. DIMENSIONS ARE FOR ILLUSTRATION ON 54 IN. DIAMETER MH'S. FOR DIFFERENT DIAMETER MH'S, ADJUST TO MAINTAIN 45 DEGREE ANGLE ON "VERTICAL" BARS AND 7 IN. O.C. MAXIMUM SPACING OF BARS AROUND LOWER STEEL BAND.
2. METAL PARTS MUST BE CORROSION RESISTANT. BARS MUST BE STAINLESS STEEL OR ALUMINIZED STEEL.
3. THIS DEBRIS BARRIER IS ALSO RECOMMENDED FOR USE ON THE INLET TO ROADWAY CROSS-CULVERTS WITH HEIGHT POTENTIAL FOR DEBRIS COLLECTION (EXCEPT ON TYPE 2 STREAMS)
4. USE OF THIS STRUCTURE WITHIN THE ROAD RIGHT-OF-WAY SHALL MEET THE MINIMUM CLEAR ZONE REQUIREMENTS.
5. SEE THE WSDOT/APWA STANDARD SPECIFICATIONS SECTION 9-05.15 FOR METAL CASTINGS REQUIREMENTS.



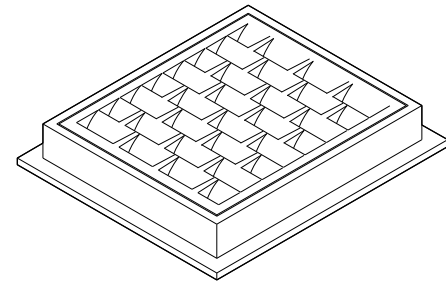
PUBLICATION DATE: **3/1/2022**

REVISION DATE: **2/10/2021**

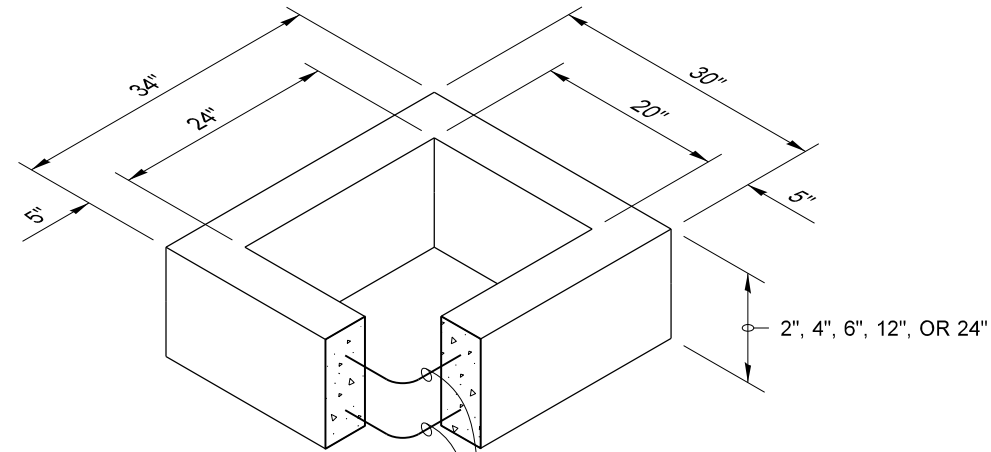
STANDARD DETAIL NUMBER: **703**

SCALE: **NOT TO SCALE**

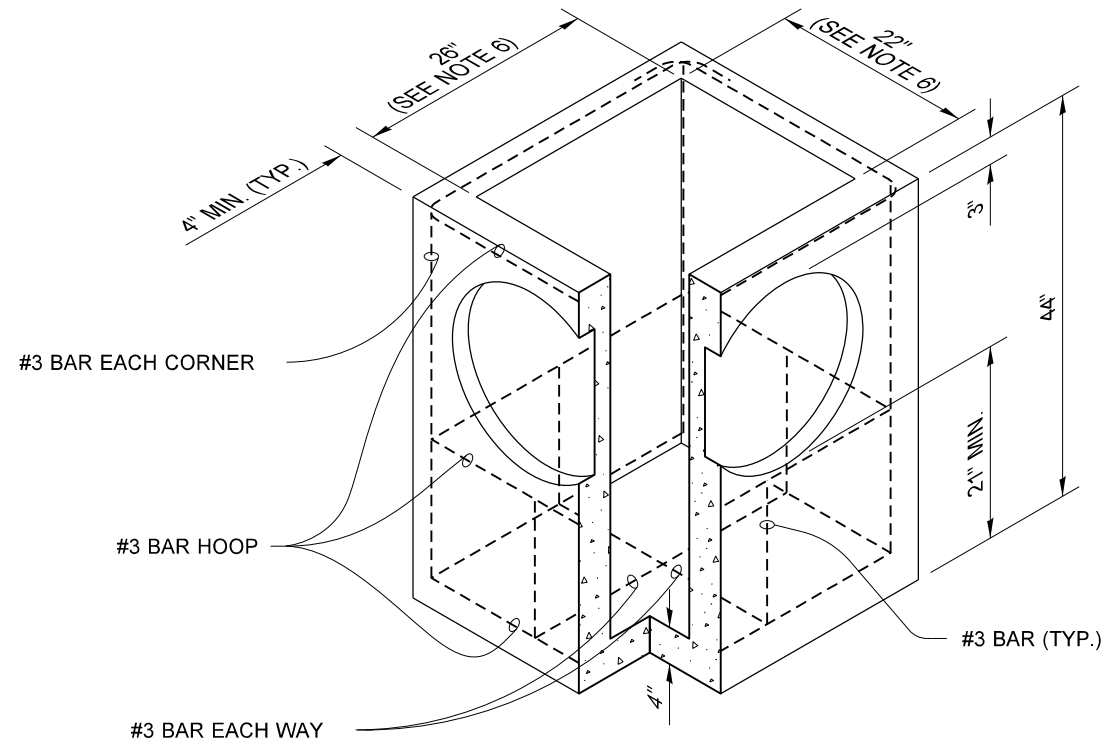
DEBRIS CAGE



FRAME AND VANED GRATE



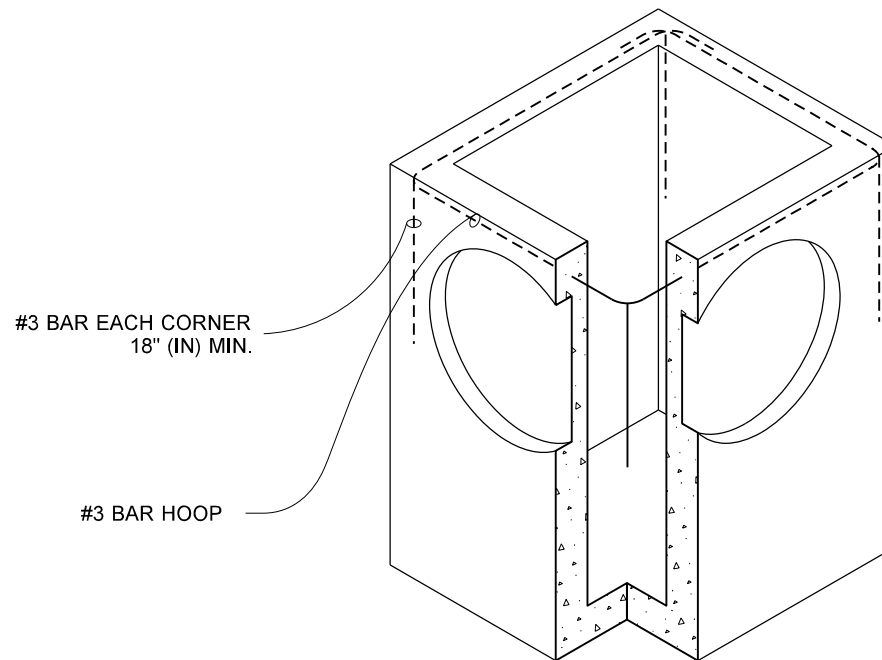
RECTANGULAR ADJUSTMENT SECTION



PRECAST BASE SECTION

PIPE ALLOWANCES	
PIPE MATERIAL	MAXIMUM INSIDE DIAMETER (INCHES)
REINFORCED OR PLAIN CONCRETE	12"
ALL METAL PIPE	15"
CPSSP * (STD. SPEC. SECT. 9-05.20)	12"
SOLID WALL PVC (STD. SPEC. SECT. 9-05.12(1))	15"
PROFILE WALL PVC (STD. SPEC. SECT. 9-05.12(2))	15"

* CORRUGATED POLYETHYLENE STORM SEWER PIPE



(SEE NOTE 1)
ALTERNATIVE PRECAST BASE SECTION

NOTES

1. As acceptable alternatives to the rebar shown in the **PRECAST BASE SECTION**, fibers (placed according to the Standard Specifications), or wire mesh having a minimum area of 0.12 square inches per foot shall be used with the minimum required rebar shown in the **ALTERNATIVE PRECAST BASE SECTION**. Wire mesh shall not be placed in the knockouts.
2. The knockout diameter shall not be greater than 20" (in). Knockouts shall have a wall thickness of 2" (in) minimum to 2.5" (in) maximum. Provide a 1.5" (in) minimum gap between the knockout wall and the outside of the pipe. After the pipe is installed, fill the gap with joint mortar in accordance with **Standard Specification Section 9-04.3**.
3. The maximum depth from the finished grade to the lowest pipe invert shall be 5' (ft).
4. The frame and grate may be installed with the flange down, or integrally cast into the adjustment section with flange up.
5. The Precast Base Section may have a rounded floor, and the walls may be sloped at a rate of 1 : 24 or steeper.
6. The opening shall be measured at the top of the **Precast Base Section**.
7. All pickup holes shall be grouted full after the basin has been placed.



Heilman, Julie
Jan 25 2017 2:53 PM
cosign

CATCH BASIN TYPE 1

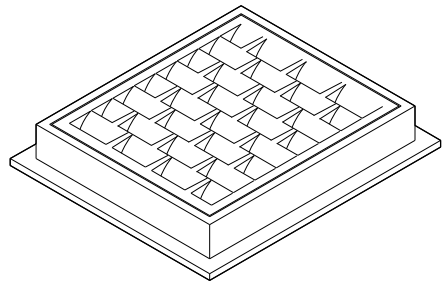
STANDARD PLAN B-5.20-02

SHEET 1 OF 1 SHEET

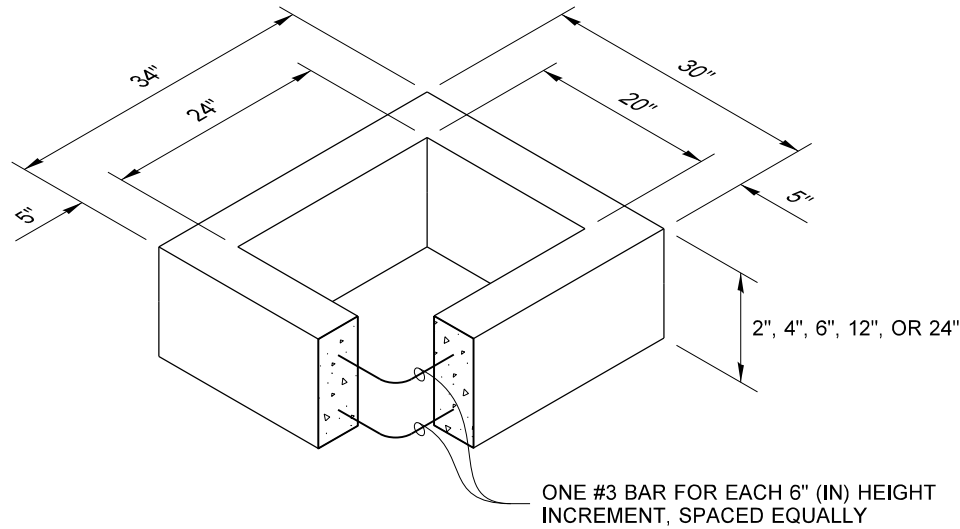
APPROVED FOR PUBLICATION
Carpenter, Jeff
Jan 26 2017 6:48 AM
cosign

STATE DESIGN ENGINEER

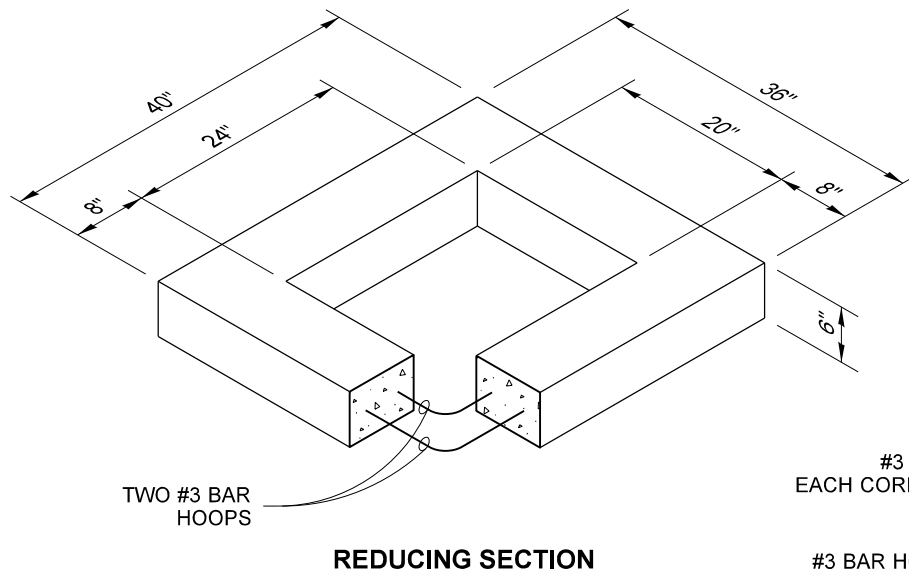




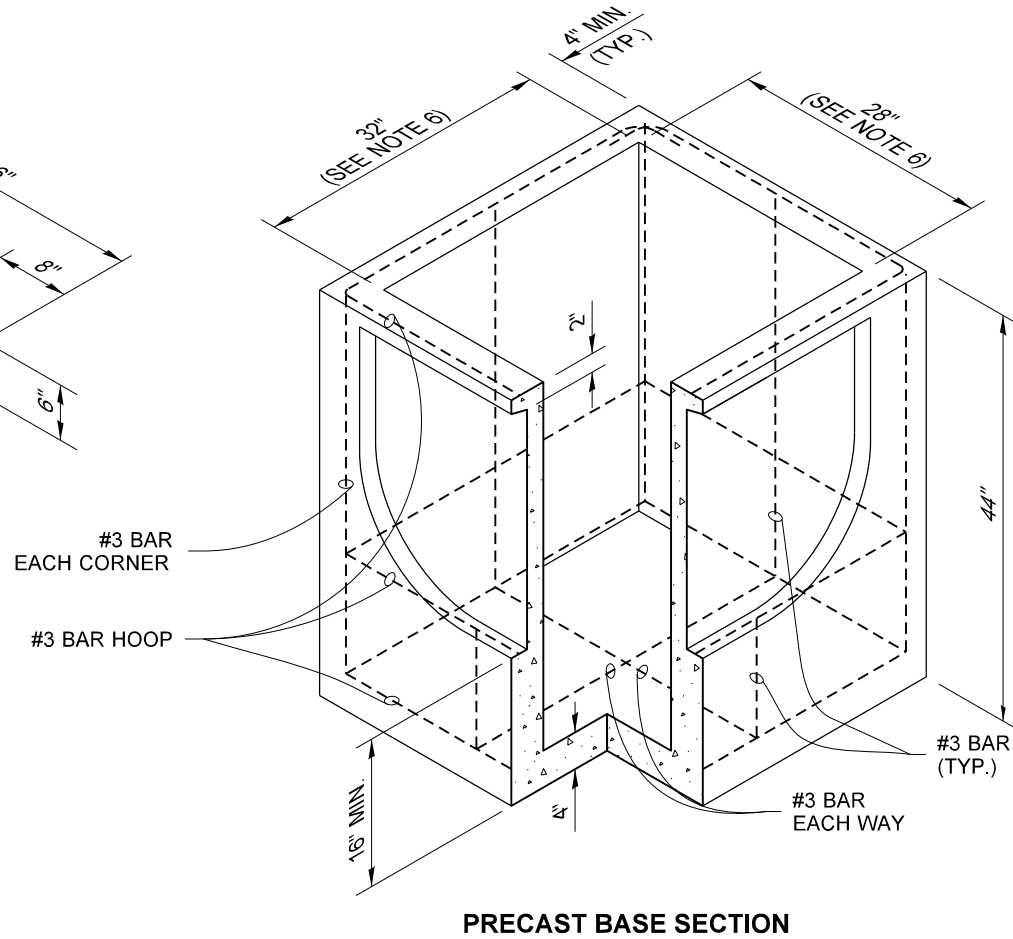
FRAME AND VANED GRATE



RECTANGULAR ADJUSTMENT SECTION



REDUCING SECTION



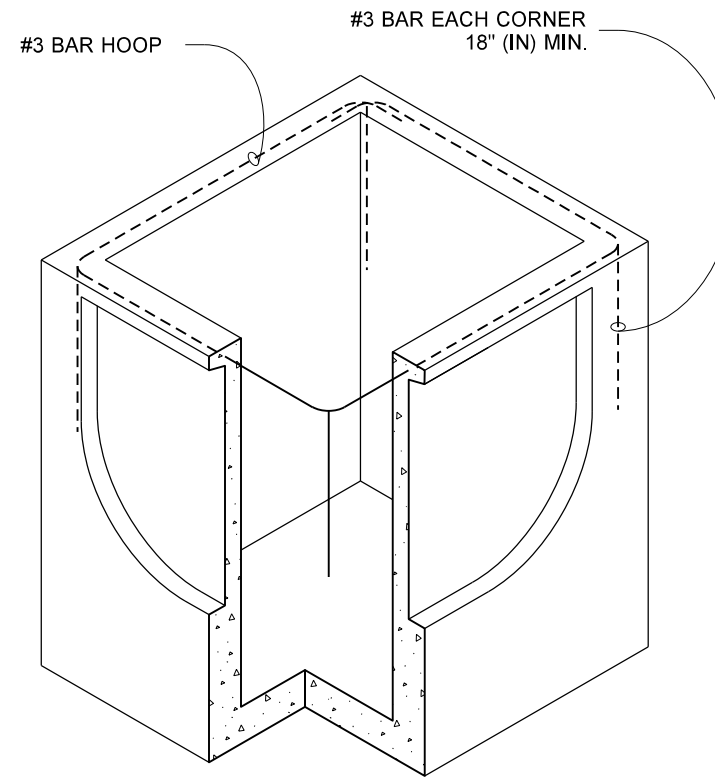
PRECAST BASE SECTION

PIPE ALLOWANCES	
PIPE MATERIAL	MAXIMUM INSIDE DIAMETER (INCHES)
REINFORCED OR PLAIN CONCRETE	18"
ALL METAL PIPE	21"
CPSSP * (STD. SPEC. SECT. 9-05.20)	18"
SOLID WALL PVC (STD. SPEC. SECT. 9-05.12(1))	21"
PROFILE WALL PVC (STD. SPEC. SECT. 9-05.12(2))	21"

* CORRUGATED POLYETHYLENE STORM SEWER PIPE

NOTES

1. As acceptable alternatives to the rebar shown in the **PRECAST BASE SECTION**, fibers (placed according to the Standard Specifications), or wire mesh having a minimum area of 0.12 square inches per foot, shall be used with the minimum required rebar shown in the **ALTERNATIVE PRECAST BASE SECTION**. Wire mesh shall not be placed in the knockouts.
2. The knockout shall not be greater than 26" (in), in any direction. Knockouts shall have a wall thickness of 2" (in) minimum to 2.5" (in) maximum. Provide a 1.5" (in) minimum gap between the knockout wall and the outside of the pipe. After the pipe is installed, fill the gap with joint mortar in accordance with **Standard Specification Section 9-04.3**.
3. The maximum depth from the finished grade to the lowest pipe invert shall be 5' (ft).
4. The frame and grate may be installed with the flange down or integrally cast into the adjustment section with flange up.
5. The Precast Base Section may have a rounded floor, and the walls may be sloped at a rate of 1 : 24 or steeper.
6. The opening shall be measured at the top of the Precast Base Section.
7. All pickup holes shall be grouted full after the basin has been placed.



(SEE NOTE 1)

ALTERNATIVE PRECAST BASE SECTION



Heilman, Julie
Jan 25 2017 2:56 PM
cosign

CATCH BASIN TYPE 1L

STANDARD PLAN B-5.40-02

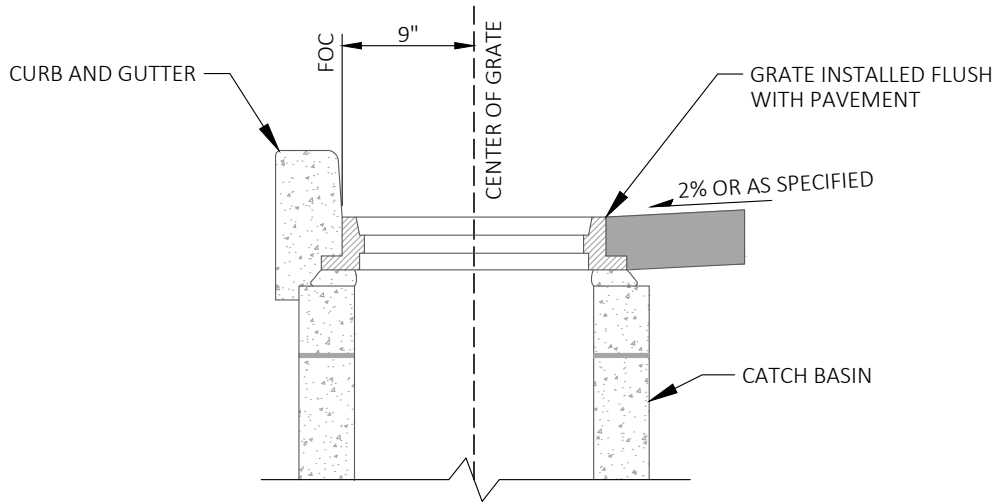
SHEET 1 OF 1 SHEET

APPROVED FOR PUBLICATION

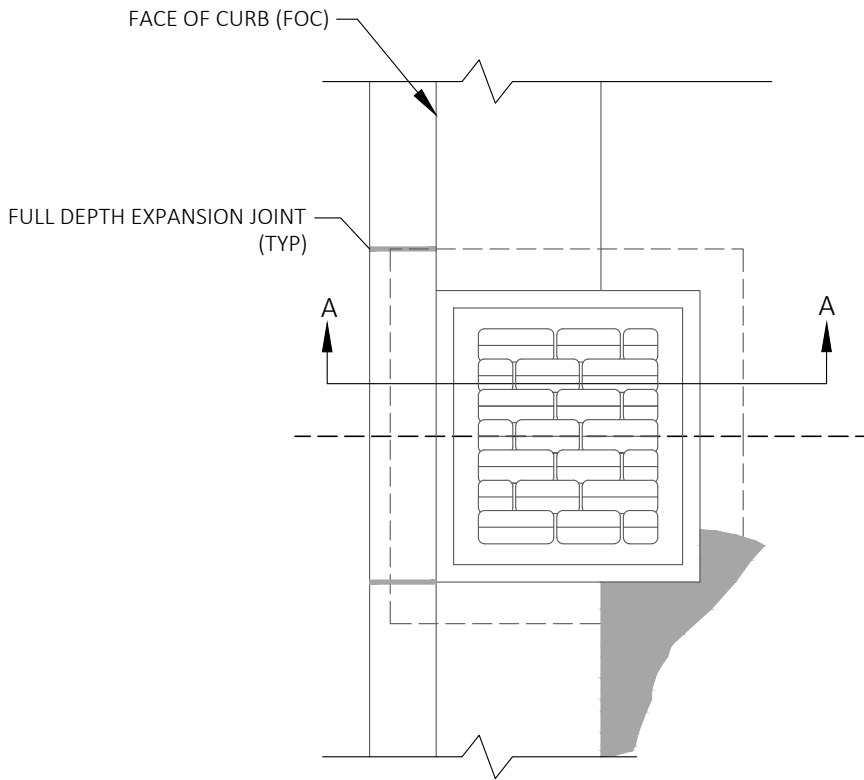
Carpenter, Jeff
Jan 26 2017 6:49 AM
cosign

STATE DESIGN ENGINEER





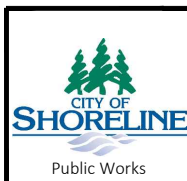
SECTION A-A



PLAN VIEW

NOTES:

1. AN APPROVED MATERIAL WHICH WILL PREVENT BONDING OF THE CURB TO FRAME, GRATE OR C.B. SHALL BE USED.
2. GROUT ALL JOINTS INSIDE AND OUTSIDE.
3. ALL GRATES SHALL BE VANED UNLESS OTHERWISE SHOWN.



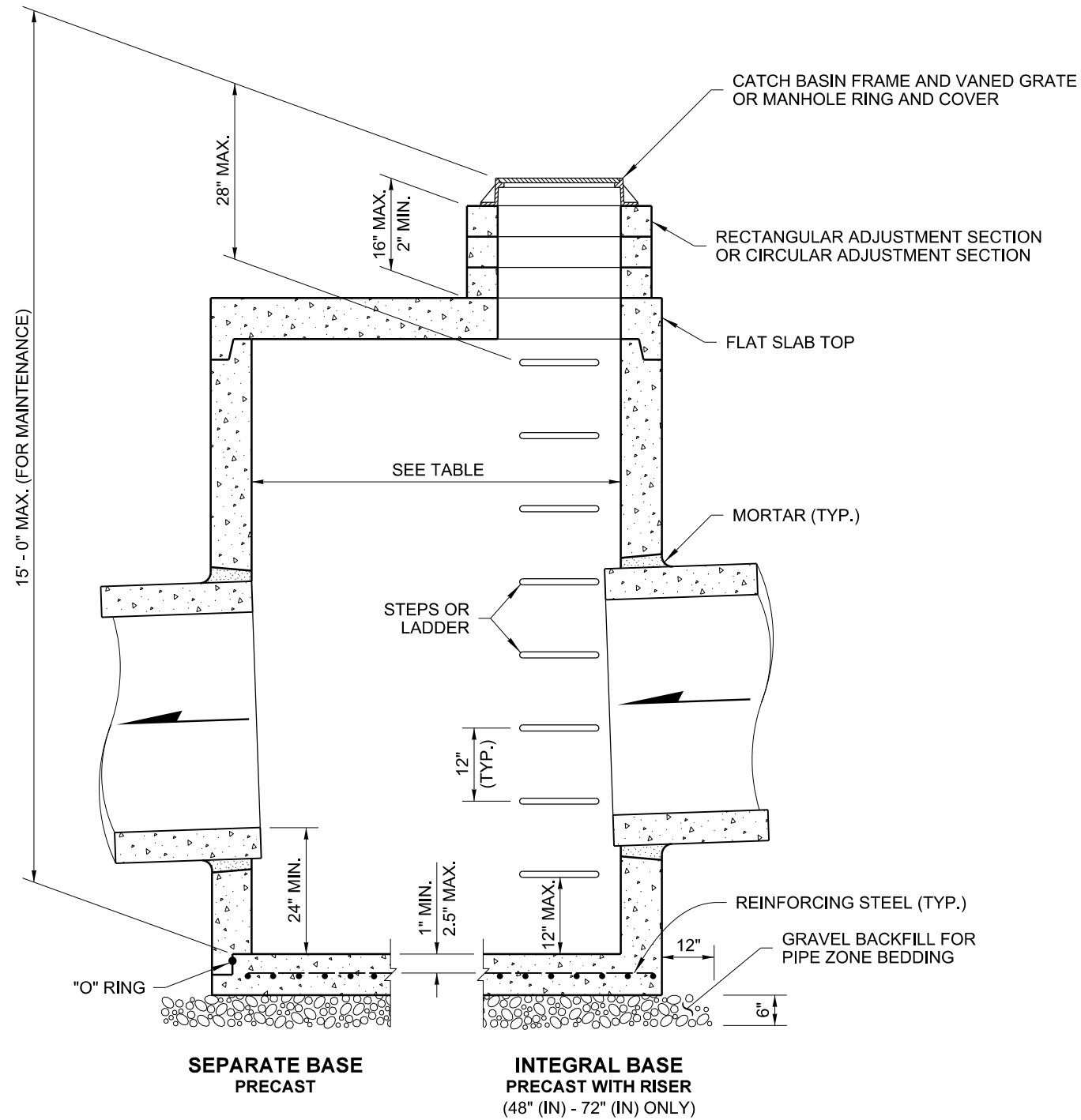
PUBLICATION DATE: **3/1/2022**

REVISION DATE: **2/11/2020**

STANDARD DETAIL NUMBER: **707**

SCALE: **NOT TO SCALE**

CATCH BASIN INSTALLATION



NOTES

1. No steps are required when height is 4' or less.
2. The bottom of the precast catch basin may be sloped to facilitate cleaning.
3. The rectangular frame and grate may be installed with the flange up or down. The frame may be cast into the adjustment section.
4. Knockouts shall have a wall thickness of 2" (in) minimum to 2.5" (in) maximum. Provide a 1.5" (in) minimum gap between the knockout wall and the outside of the pipe. After the pipe is installed, fill the gap with joint mortar in accordance with **Standard Specification Section 9-04.3**.

CATCH BASIN DIMENSIONS				
CATCH BASIN DIAMETER	MIN. WALL THICKNESS	MIN. BASE THICKNESS	MAXIMUM KNOCKOUT SIZE	MINIMUM DISTANCE BETWEEN KNOCKOUTS
48"	4"	6"	36"	8"
54"	4.5"	8"	42"	8"
60"	5"	8"	48"	8"
72"	6"	8"	60"	12"
84"	8"	12"	72"	12"
96"	8"	12"	84"	12"
120"	10"	12"	96"	12"
144"	12"	12"	108"	12"

PIPE ALLOWANCES					
CATCH BASIN DIAMETER	PIPE MATERIAL WITH MAXIMUM INSIDE DIAMETER				
	CONCRETE	ALL METAL	CPSSP ① PP ④	SOLID WALL PVC ②	PROFILE WALL PVC ③
48"	24"	30"	24"	30"	30"
54"	30"	36"	30"	36"	36"
60"	36"	42"	36"	42"	42"
72"	42"	54"	42"	48"	48"
84"	54"	60"	54"	48"	48"
96"	60"	72"	60"	48"	48"
120"	66"	84"	60"	48"	48"
144"	78"	96"	60"	48"	48"

- ① Corrugated Polyethylene Storm Sewer Pipe (See **Standard Specification Section 9-05.20**)
- ② (See **Standard Specification Section 9-05.12(1)**)
- ③ (See **Standard Specification Section 9-05.12(2)**)
- ④ Polypropylene Pipe (See **Standard Specification Section 9-05.24**)



Heilman, Julie
Feb 20 2018 12:49 PM
cosign

CATCH BASIN TYPE 2

STANDARD PLAN B-10.20-02

SHEET 1 OF 1 SHEET

APPROVED FOR PUBLICATION

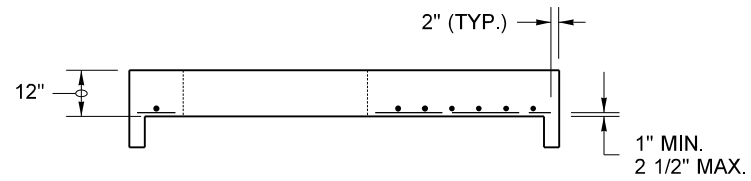
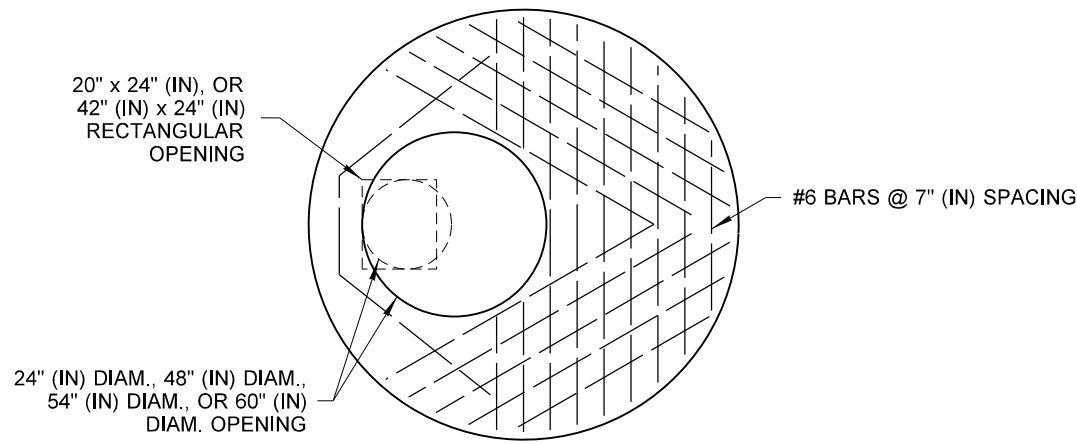
Carpenter, Jeff
Mar 2 2018 10:01 AM
cosign

STATE DESIGN ENGINEER

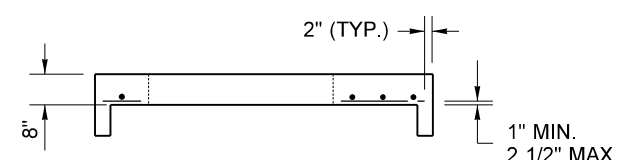
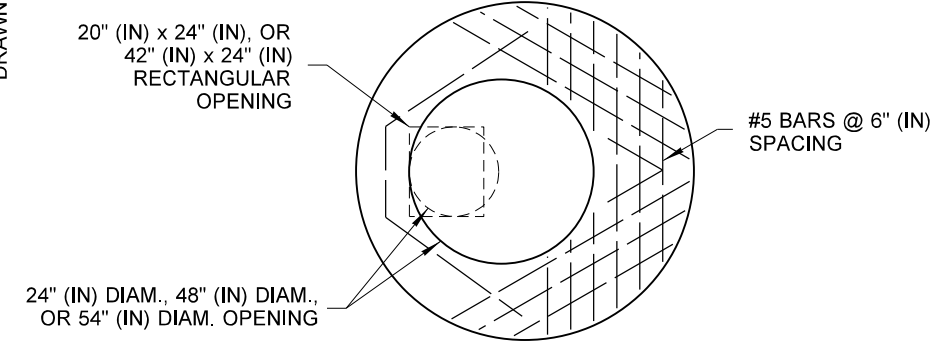


Washington State Department of Transportation

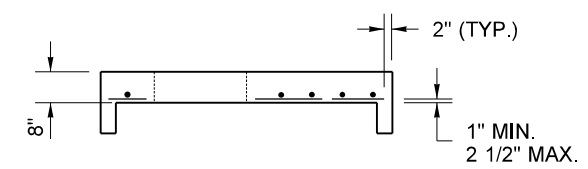
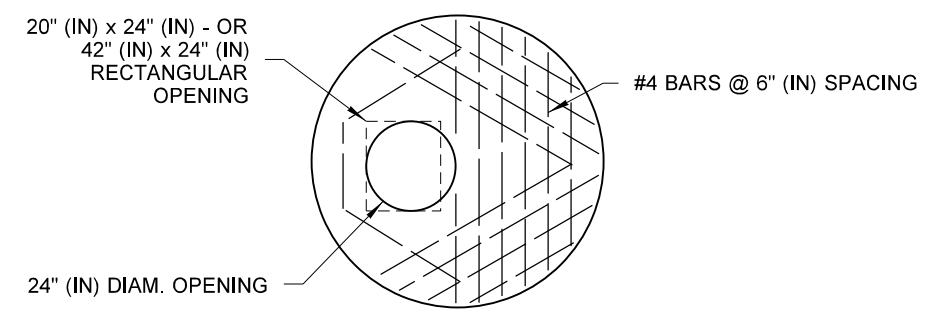
DRAWN BY: FERN LIDDELL



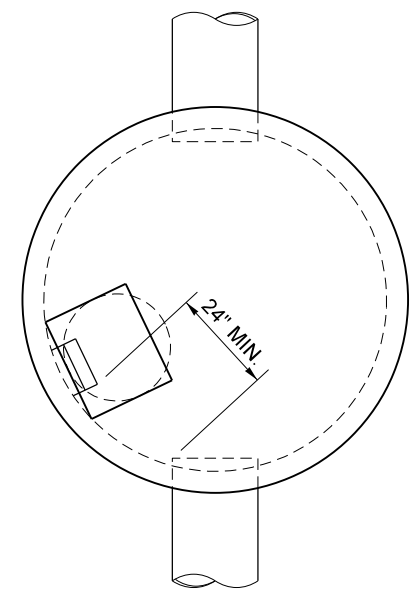
84" (IN) or 96" (IN) FLAT SLAB TOP



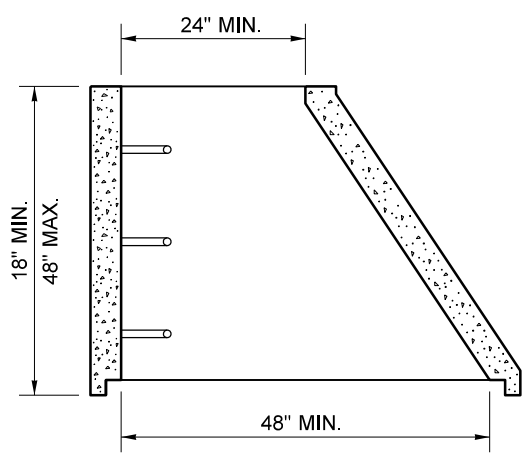
72" (IN) FLAT SLAB TOP



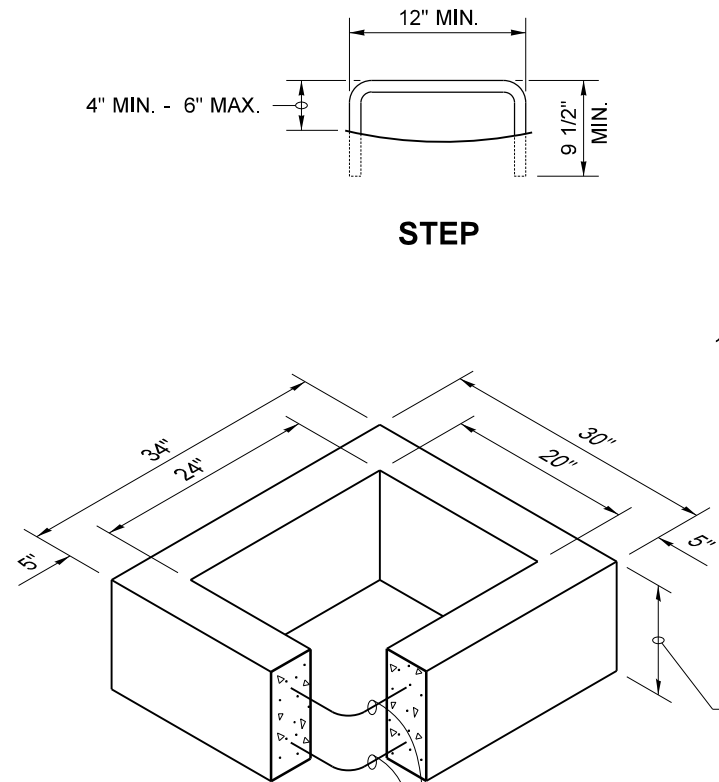
48" (IN), 54", or 60" (IN) FLAT SLAB TOP



TYPICAL ORIENTATION FOR ACCESS AND STEPS



ECCENTRIC CONE SECTION



STEP

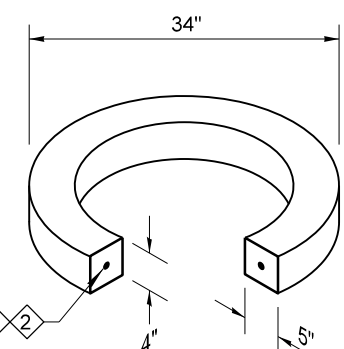
PREFABRICATED LADDER

NOTE
1. Ladder rungs for manholes and catch basins shall meet the requirements of **AASHTO M 199**.

ONE #3 BAR HOOP FOR 2", 4", OR 6" (IN)
TWO #3 BAR HOOPS FOR 12" (IN)
FOUR #3 BAR HOOPS FOR 24" (IN)

RECTANGULAR ADJUSTMENT SECTION

- 1 As an acceptable alternative to rebar, wire mesh having a minimum area of 0.12 square inches per foot may be used for adjustment sections.
- 2 As an acceptable alternative to conventional steel reinforcement, manufacturers shall use Synthetic Structural Fibers meeting the requirements of **Standard Specification Section 9-05.50(10)**.



ONE #3 BAR HOOP FOR 2", 4", OR 6" (IN)
TWO #3 BAR HOOPS FOR 12" (IN)

CIRCULAR ADJUSTMENT SECTION

For rectangular and circular adjustment sections, approved alternate material compositions are acceptable in lieu of precast concrete designs



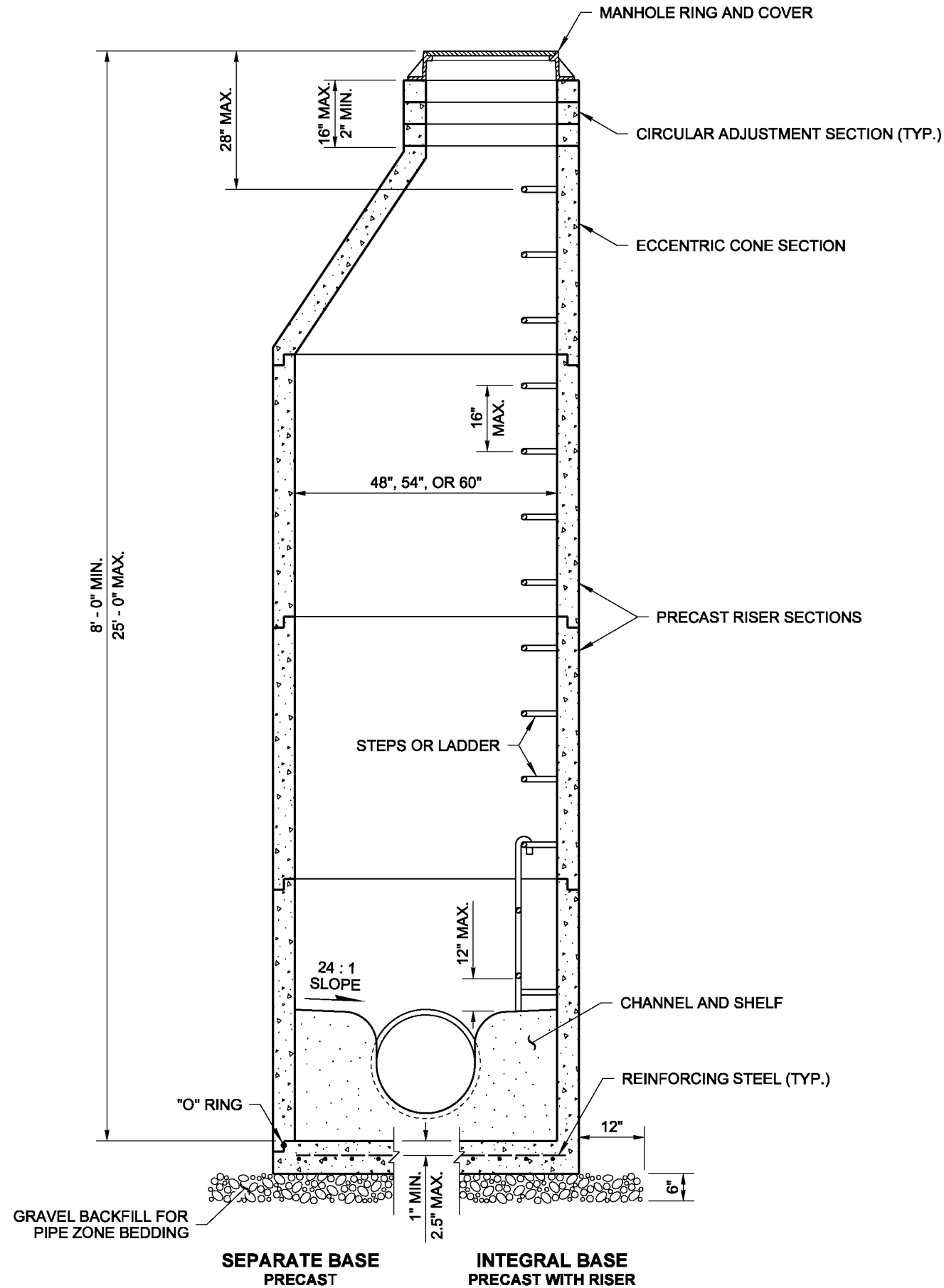
Julie Heilman
Heilman, Julie
Jan 25 2017 3:01 PM

MISCELLANEOUS DETAILS FOR DRAINAGE STRUCTURES STANDARD PLAN B-30.90-02

SHEET 1 OF 1 SHEET

APPROVED FOR PUBLICATION
Carpenter, Jeff
Jan 26 2017 6:52 AM

STATE DESIGN ENGINEER
Washington State Department of Transportation



NOTES

1. Knockouts shall have a wall thickness of 2" minimum to 2.5" maximum.
2. For pipe allowances, see **Standard Plan B-10.20**.

MANHOLE DIMENSION TABLE				
DIAM.	MIN. WALL THICKNESS	MIN. BASE THICKNESS	MAXIMUM KNOCKOUT SIZE	MINIMUM DISTANCE BETWEEN KNOCKOUTS
48"	4"	6"	36"	8"
54"	4.5"	8"	42"	8"
60"	5"	8"	48"	8"



NOTE: THIS PLAN IS NOT A LEGAL ENGINEERING DOCUMENT UNTIL ELECTRONICALLY SIGNED AND SEALED BY THE ENGINEER AND APPROVED FOR PUBLICATION. IT MUST BE FILED AT THE WASHINGTON STATE DEPARTMENT OF TRANSPORTATION. A COPY MAY BE OBTAINED UPON REQUEST.

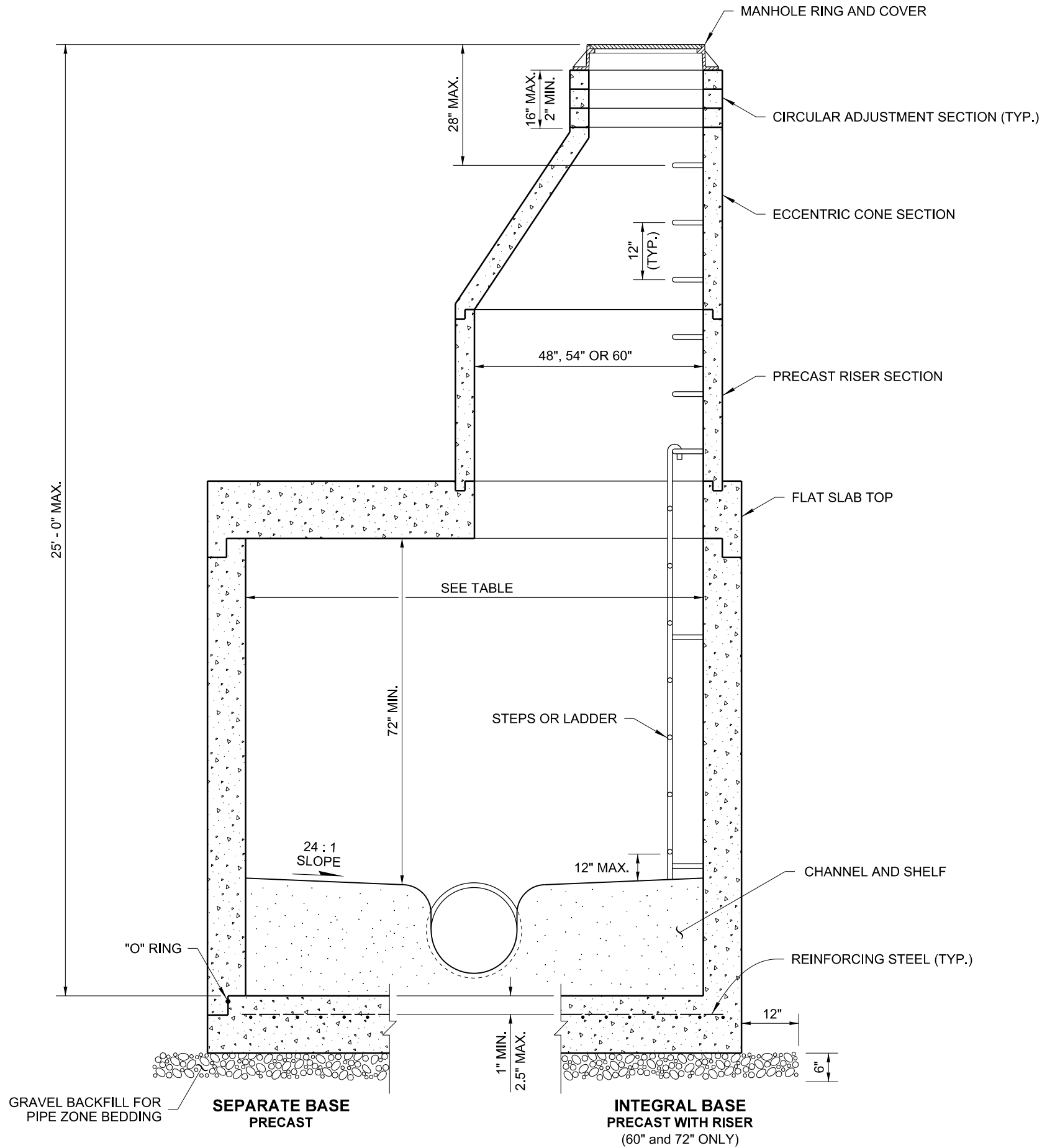
MANHOLE TYPE 1
STANDARD PLAN B-15.20-01

SHEET 1 OF 1 SHEET

APPROVED FOR PUBLICATION

Pasco Bakotich III 02-07-12
STATE DESIGN ENGINEER DATE

Washington State Department of Transportation



NOTES

1. Knockouts shall have a wall thickness of 2" minimum to 2.5" maximum.
2. For pipe allowances, see **Standard Plan B-10.20**.

MANHOLE DIMENSION TABLE				
DIAM.	MIN. WALL THICKNESS	MIN. BASE THICKNESS	MAXIMUM KNOCKOUT SIZE	MINIMUM DISTANCE BETWEEN KNOCKOUTS
60"	5"	8"	48"	8"
72"	6"	8"	60"	12"
84"	8"	12"	72"	12"
96"	8"	12"	84"	12"
120"	10"	12"	96"	12"
144"	12"	12"	108"	12"



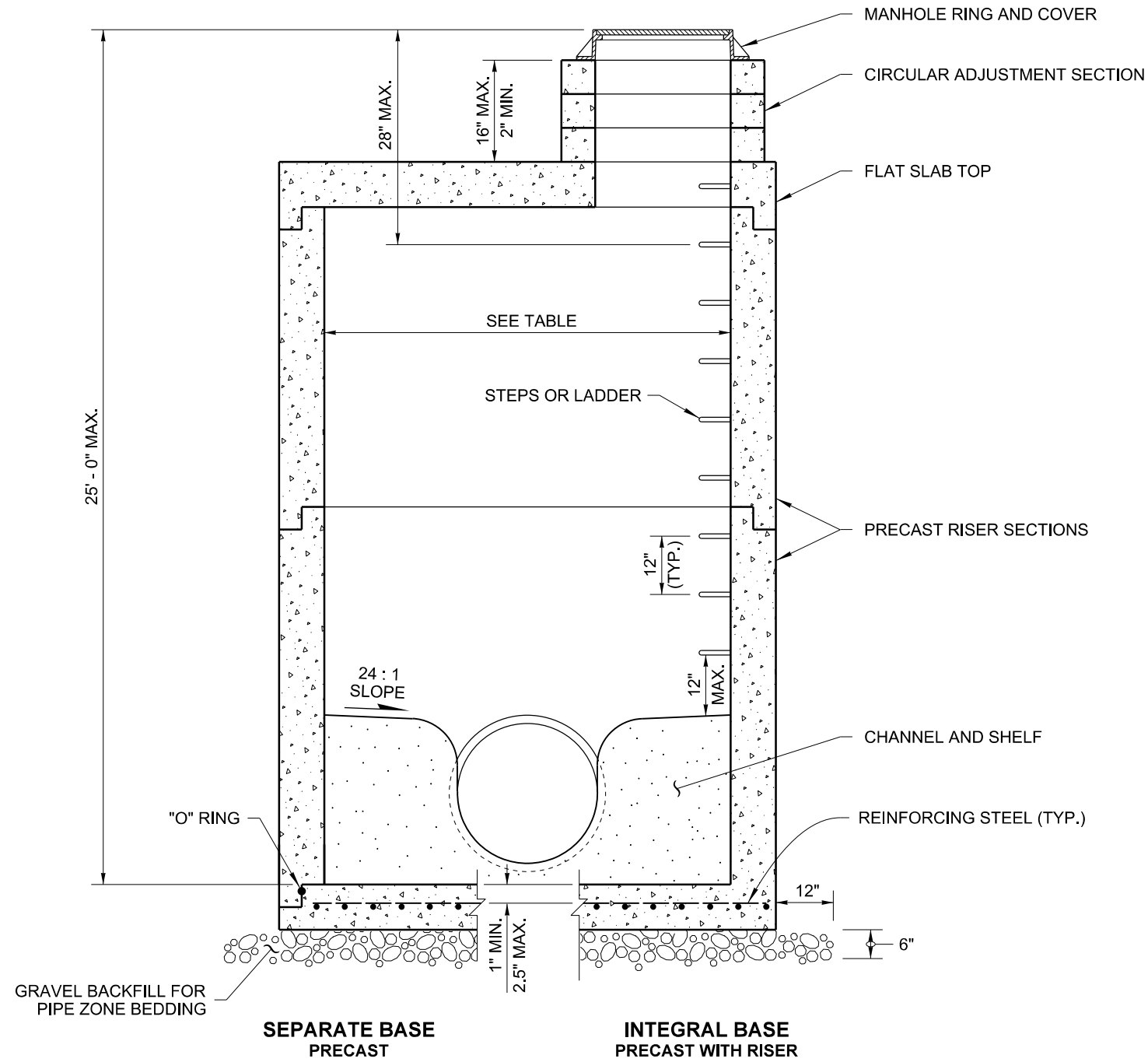
NOTE: THIS PLAN IS NOT A LEGAL ENGINEERING DOCUMENT BUT AN ELECTRONIC DIGITAL COPY. THE ORIGINAL COPY OF THE ENGINEER AND APPROVED FOR PUBLICATION IS KEPT ON FILE AT THE WASHINGTON STATE DEPARTMENT OF TRANSPORTATION. A COPY MAY BE OBTAINED UPON REQUEST.

MANHOLE TYPE 2
STANDARD PLAN B-15.40-01
 SHEET 1 OF 1 SHEET

APPROVED FOR PUBLICATION

Pasco Bakotich III 02-07-12
 STATE DESIGN ENGINEER DATE

Washington State Department of Transportation



NOTES

1. Knockouts shall have a wall thickness of 2" (in) minimum to 2.5" (in) maximum.
2. For pipe allowances, see **Standard Plan B-10.20**.
3. No steps are required when height is 4' (ft) or less.

MANHOLE DIMENSION TABLE				
DIAM.	MIN. WALL THICKNESS	MIN. BASE THICKNESS	MAXIMUM KNOCKOUT SIZE	MINIMUM DISTANCE BETWEEN KNOCKOUTS
48"	4"	6"	36"	8"
54"	4.5"	8"	42"	8"
60"	5"	8"	48"	8"
72"	6"	8"	60"	12"
84"	8"	12"	72"	12"
96"	8"	12"	84"	12"
120"	10"	12"	96"	12"
144"	12"	12"	108"	12"



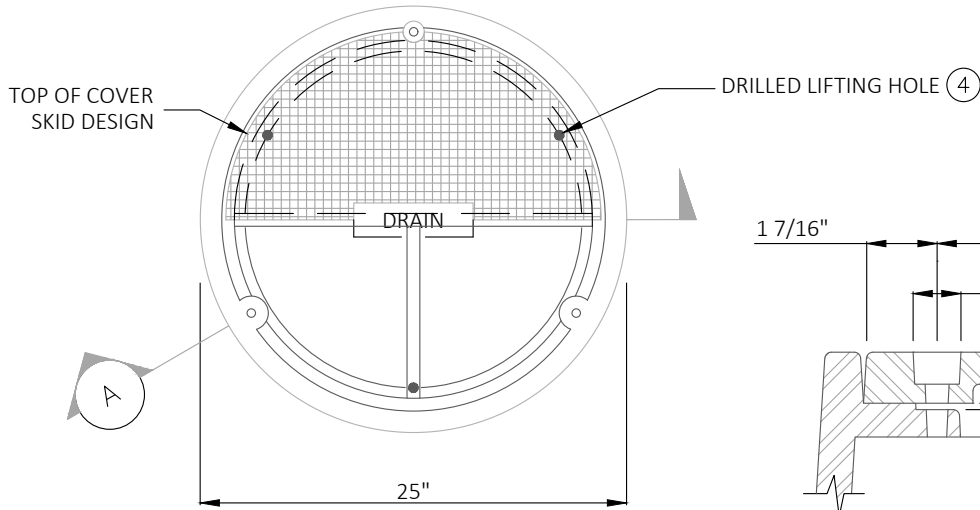
Heilman, Julie
Jan 25 2017 2:58 PM
cosign

MANHOLE TYPE 3

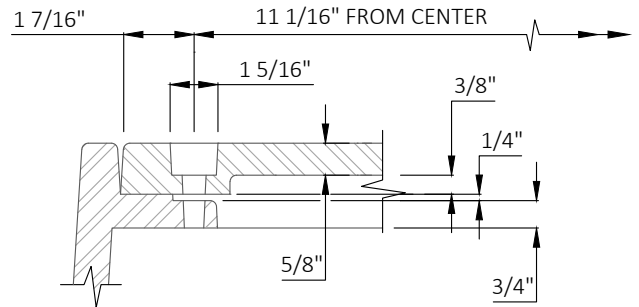
STANDARD PLAN B-15.60-02

SHEET 1 OF 1 SHEET

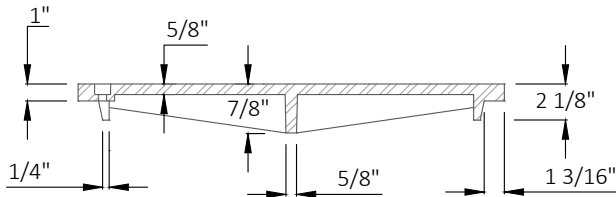
APPROVED FOR PUBLICATION	
Carpenter, Jeff	
Jan 26 2017 6:50 AM	
STATE DESIGN ENGINEER	
Washington State Department of Transportation	



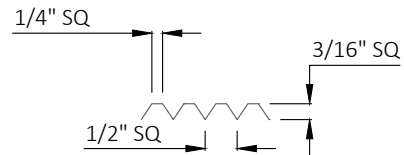
PLAN



BOLT-DOWN DETAIL



SECTION A



COVER SKID DESIGN DETAIL

NOTES:

1. THE GASKET AND GROOVE MAY BE IN THE SEAT (FRAME) OR IN THE UNDERSIDE OF THE COVER. THE GASKET MAY BE "T" SHAPED IN SECTION. THE GROOVE MAY BE CAST OR MACHINED.
2. BOLT-DOWN CAPABILITY IS REQUIRED ON ALL FRAMES, GRATES, AND COVERS, UNLESS SPECIFIED OTHERWISE IN THE CONTRACT. PROVIDE 3 HOLES IN THE FRAME THAT ARE VERTICALLY ALIGNED WITH THE GRATE OR COVER SLOTS. THE FRAME SHALL ACCEPT THE 304 STAINLESS STEEL (S.S) 5/8" - 11 NC X 2" (IN) ALLEN HEAD CAP SCREW BY BEING TAPPED, OR OTHER APPROVED MECHANISM. LOCATION OF BOLT DOWN HOLES VARIES BY MANUFACTURER.
3. FOR BOLT-DOWN MANHOLE RING AND COVERS THAT ARE NOT DESIGNATED "WATERTIGHT," THE NEOPRENE GASKET, GROOVE, AND WASHER ARE NOT REQUIRED.
- ④ DRILL THREE 1 IN HOLES SPACED AT 120° AND 9 1/2" IN RADIUS.
5. ALTERNATIVE REINFORCING DESIGNS ARE ACCEPTABLE IN LIEU OF THE RIB DESIGN.
6. DOMESTICALLY MANUFACTURED STORMWATER BASIN GRATES SHALL BE USED IN THE CITY RIGHT-OF-WAY.



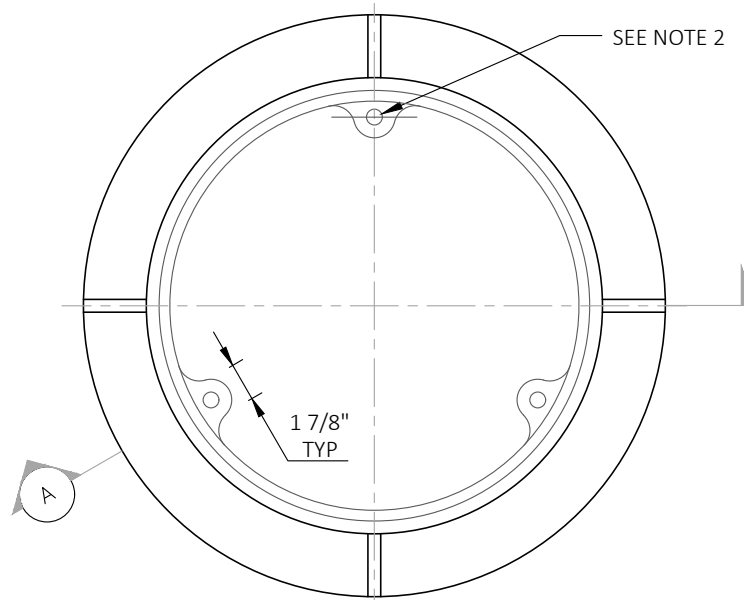
PUBLICATION DATE: **3/1/2022**

REVISION DATE: **2/10/2021**

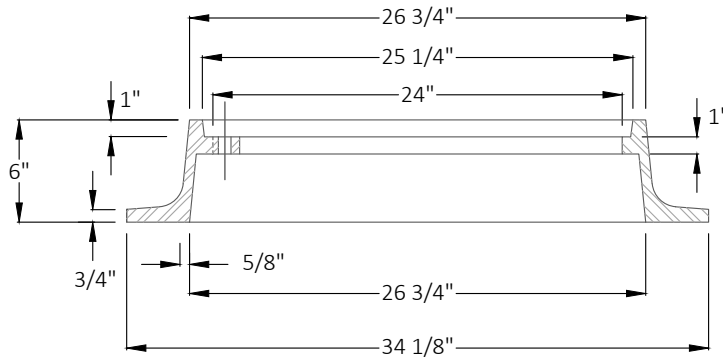
STANDARD DETAIL NUMBER: **720**

SCALE: **NOT TO SCALE**

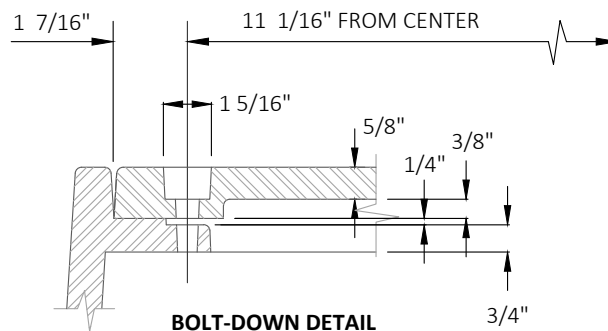
MANHOLE RING AND COVER



PLAN



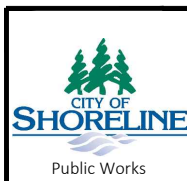
SECTION A



BOLT-DOWN DETAIL

NOTES:

1. MATERIAL IS CAST IRON ASTM A48 CLASS 30.
2. DRILL AND TAP THREE 5/8 IN-11 NC HOLES THROUGH FRAME AT 120° AND 11 1/16 IN RADIUS. LOCK WITH ALLEN HEAD CAP SCREW 304 S.S. 5/8" (IN) - 11 NC x 2" (IN)
3. SEE WSDOT SPECIFICATION 7-05.
4. SEE THE WSDOT/APWA STANDARD SPECIFICATIONS SECTION 9-05.15 FOR METAL CASTINGS REQUIREMENTS.
5. DOMESTICALLY MANUFACTURED STORMWATER BASIN GRATES SHALL BE USED IN THE CITY RIGHT-OF-WAY.



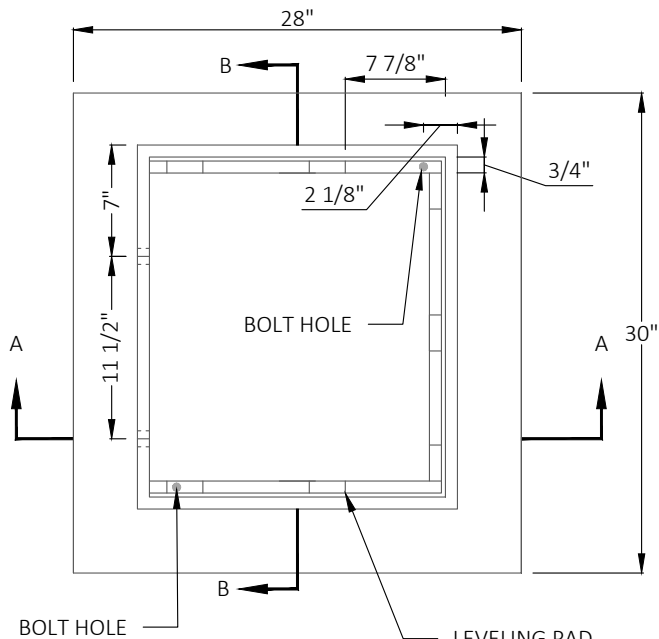
PUBLICATION DATE: **3/1/2022**

REVISION DATE: **2/11/2020**

STANDARD DETAIL NUMBER: **721**

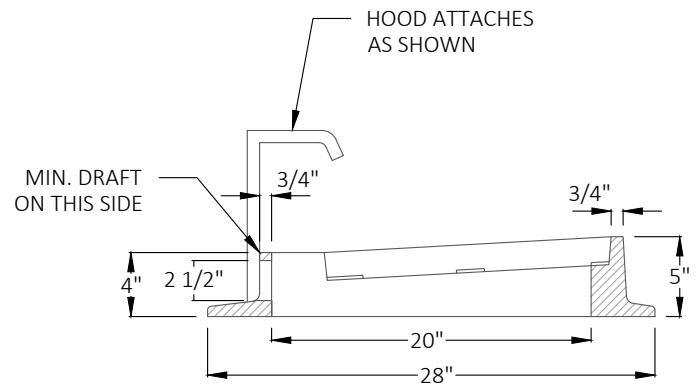
SCALE: **NOT TO SCALE**

LOCKING MANHOLE RING

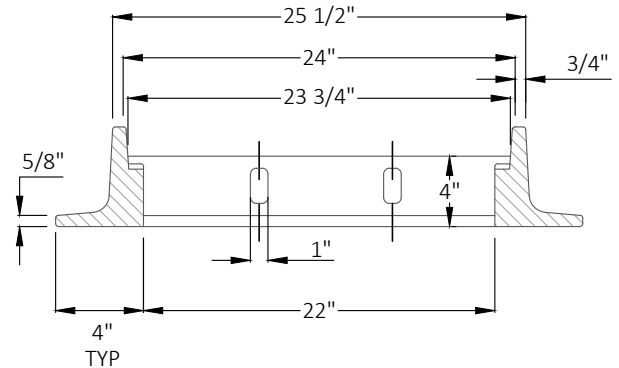


PLAN

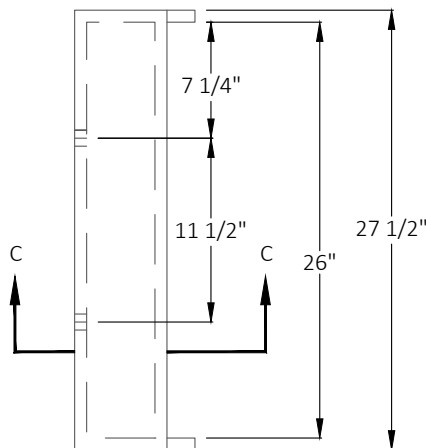
LEVELING PAD
7-1/8" X 3/4" X 2 1/4"
TYP



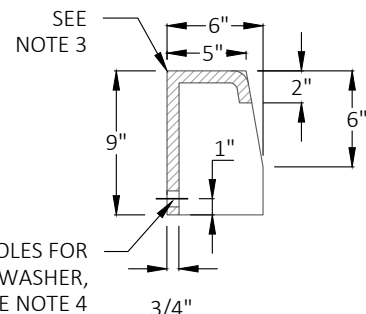
SECTION A-A



SECTION B-B



HOOD DETAIL

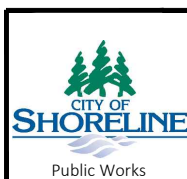


2 - 1" DIAM. HOLES FOR
3/4" BOLT, WASHER,
& NUT, SEE NOTE 4

**HOOD
SECTION C-C**

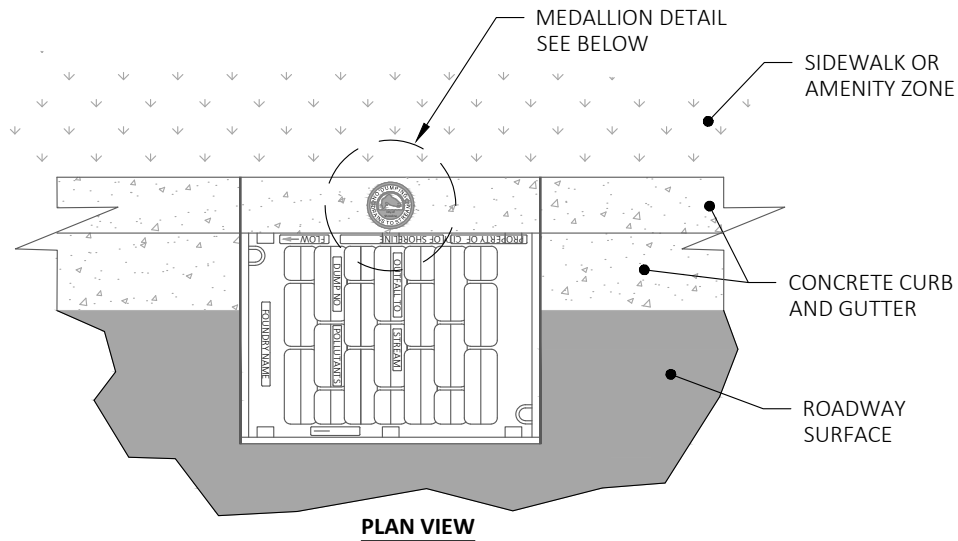
NOTES:

1. MATERIAL IS CAST IRON ASTM A48 CLASS 30.
2. SEE COS STD 726 FOR VANED GRATE.
3. PATTERN ON TOP SURFACE OF HOOD SHALL BE 3/16" NON-SKID.
4. BOLT, WASHER, & NUT SHALL BE GALVANIZED OR EROSION RESISTANT.
5. INSTALL CITY PROVIDED METAL MEDALLION (SEE COS STD 725).
6. DOMESTICALLY MANUFACTURED STORMWATER BASIN GRATES SHALL BE USED IN THE CITY RIGHT-OF-WAY.

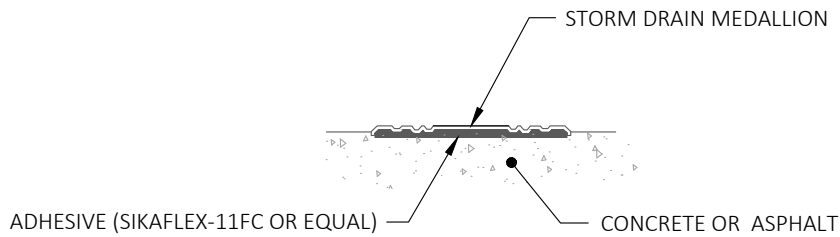


PUBLICATION DATE: 3/1/2022	REVISION DATE: 2/10/2021
STANDARD DETAIL NUMBER: 724	SCALE: NOT TO SCALE

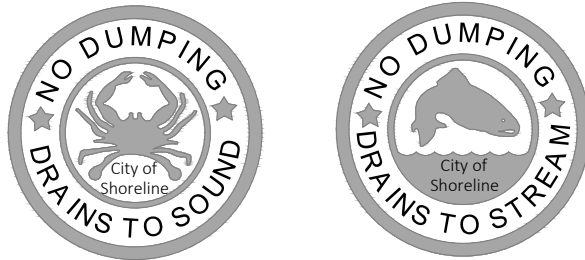
COMBINATION INLET



PLAN VIEW



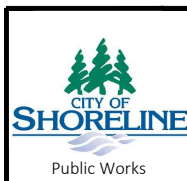
SIDE VIEW



TOP VIEW

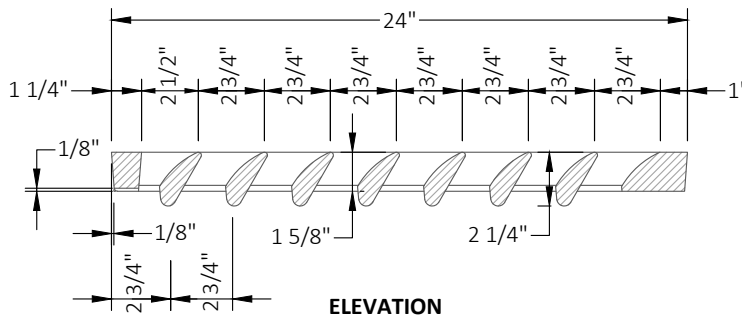
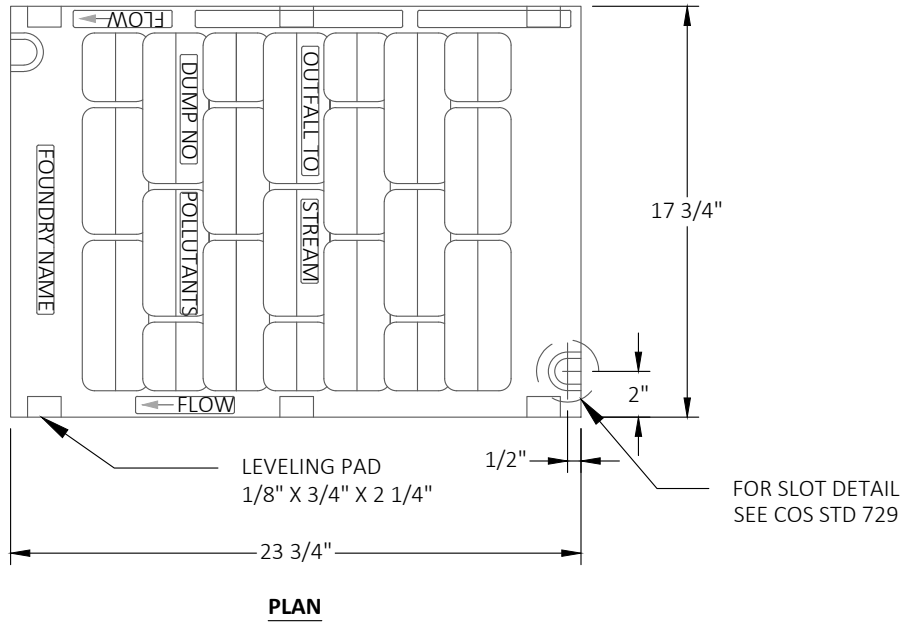
NOTE:

1. CLEAN MOUNTING SURFACE USING WIRE BRUSH. BLOW ALL DUST AND DEBRIS FROM MOUNTING AREA.
2. APPLY ADHESIVE TO BACK OF MEDALLION.
3. PLACE MEDALLION ON TOP SURFACE OF CURB OR AS DIRECTED BY ENGINEER.
4. ENSURE MEDALLION IS SEATED INTO ADHESIVE BY APPLYING PRESSURE AS REQUIRED.
5. MEDALLION IS REQUIRED FOR DRAINS ON-SITE AND IN THE RIGHT-OF-WAY.



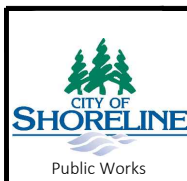
PUBLICATION DATE: 3/1/2022	REVISION DATE: 2/11/2020
STANDARD DETAIL NUMBER: 725	SCALE: NOT TO SCALE

STORM DRAIN MEDALLION



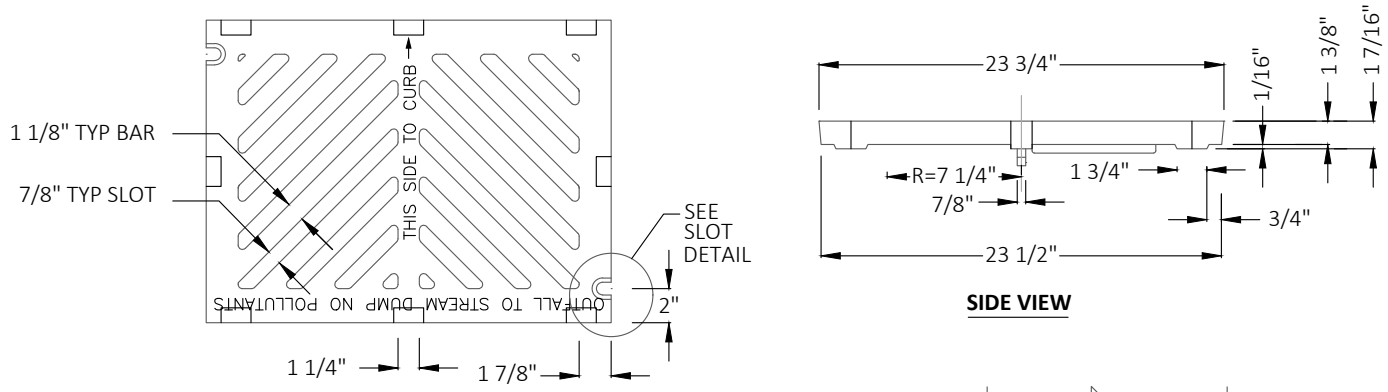
NOTES:

1. USE WITH TWO LOCKING BOLTS 5/8"-11 NC STAINLESS TYPE 304 STEEL SOCKET HEAD (ALLEN HEAD) CAP SCREWS 2" LONG. THE CITY MAY REQUIRE 4 BOLTS FOR SOME APPLICATIONS.
2. MATERIAL IS DUCTILE IRON ASTM A536 GRADE 80-55-06.
3. "OUTFALL TO STREAM DUMP NO POLLUTANTS" MAY BE LOCATED ON THE BORDER AREA.
4. INSTALL CITY PROVIDED METAL MEDALLION (SEE COS STD 725).
5. INSTALL A BI-DIRECTIONAL VANED GRATE AT LOCATIONS WHERE FLOWS ARE IN TWO DIRECTIONS. SEE WSDOT STD B-30.40-01.
6. VANED GRATE SHALL BE USED IN RIGHT OF WAY.
7. DOMESTICALLY MANUFACTURED STORMWATER BASIN GRATES SHALL BE USED IN THE CITY RIGHT-OF-WAY.

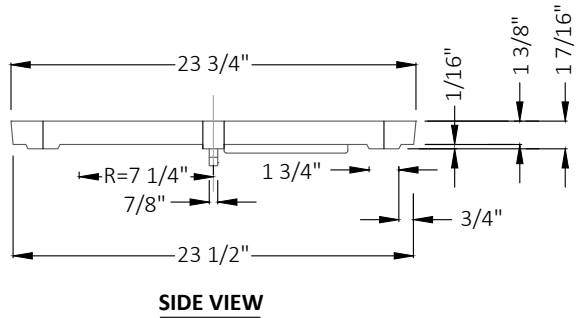


PUBLICATION DATE: 3/1/2022	REVISION DATE: 2/10/2021
STANDARD DETAIL NUMBER: 726	SCALE: NOT TO SCALE

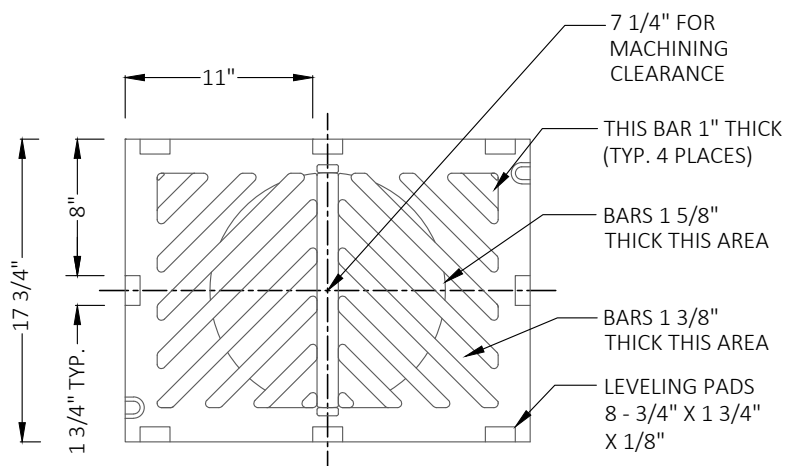
RECTANGULAR VANED GRATE



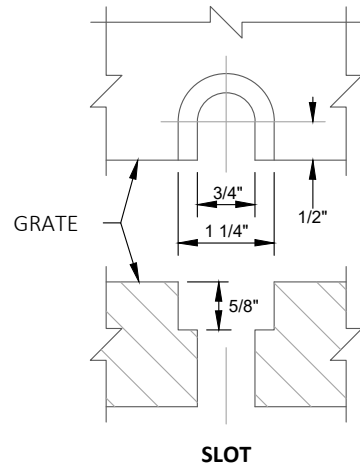
TOP VIEW



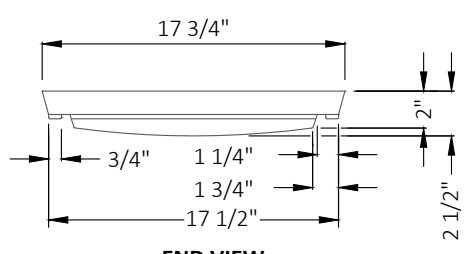
SIDE VIEW



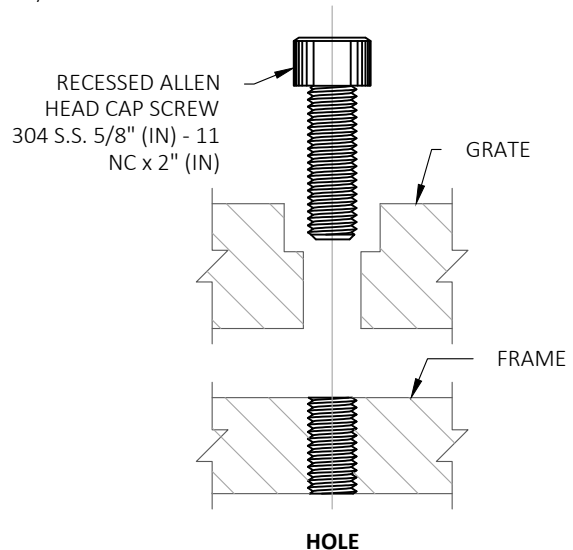
BOTTOM VIEW



SLOT



END VIEW



**HOLE
BOLT-DOWN DETAILS**

SEE NOTE 1

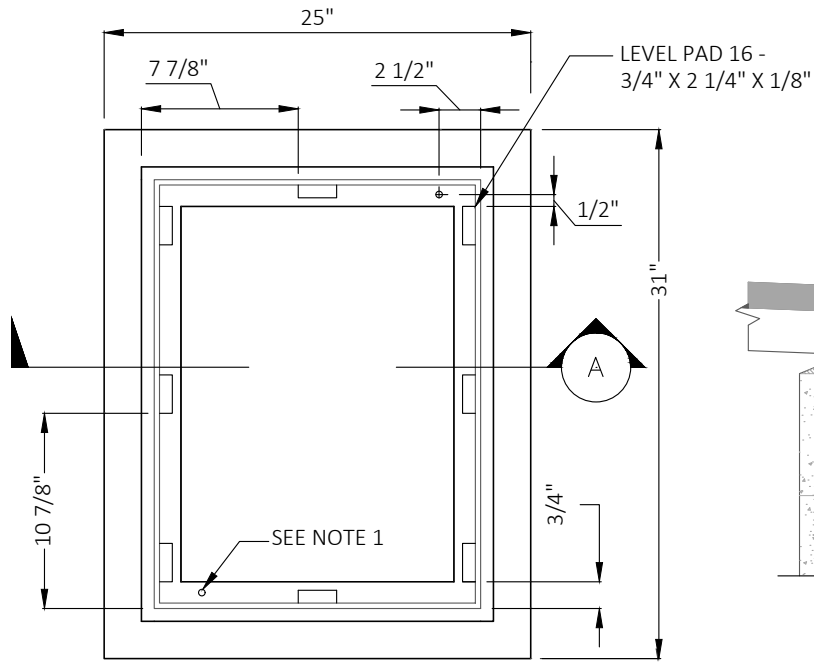
NOTES:

1. BOLT-DOWN CAPABILITY IS REQUIRED ON ALL FRAMES, GRATES, AND COVERS, UNLESS SPECIFIED OTHERWISE IN THE CONTRACT. PROVIDE 2 HOLES IN THE FRAME THAT ARE VERTICALLY ALIGNED WITH THE GRATE OR COVER SLOTS. THE FRAME SHALL ACCEPT THE 304 STAINLESS STEEL (S.S.) 5/8" (IN) - 11 NC x 2" (IN) ALLEN HEAD CAP SCREW BY BEING TAPPED, OR OTHER APPROVED MECHANISM. LOCATION OF BOLT-DOWN HOLES VARIES BY MANUFACTURER.
2. REFER TO STANDARD SPECIFICATION SECTION 9-05.15 AND 9-05.15(2) FOR ADDITIONAL REQUIREMENTS.
3. FOR FRAME DETAILS, COS STD 730.
4. DOMESTICALLY MANUFACTURED STORMWATER BASIN GRATES SHALL BE USED IN THE CITY RIGHT-OF-WAY.

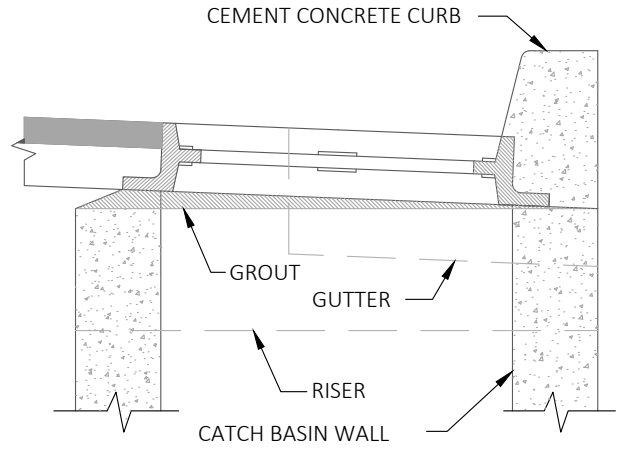


PUBLICATION DATE: 3/1/2022	REVISION DATE: 2/10/2021
STANDARD DETAIL NUMBER: 729	SCALE: NOT TO SCALE

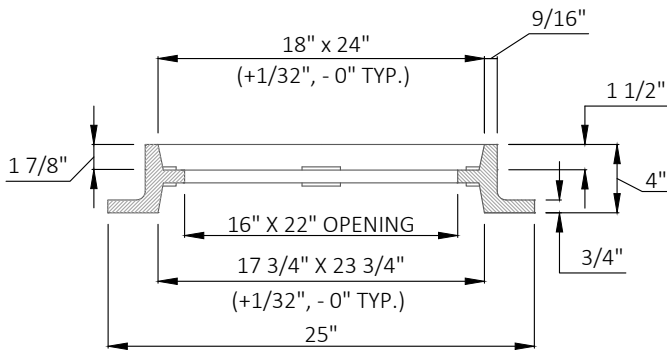
**RECTANGULAR HERRINGBONE
GRATE**



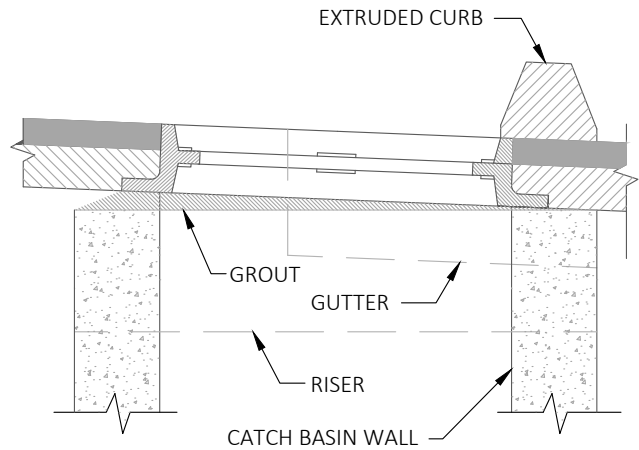
PLAN



VERTICAL CURB



SECTION A



EXTRUDED CURB

NOTES:

1. SEE COS STD 726, 729, AND 731 FOR BOLT-DOWN DETAILS.
2. REFER TO STANDARD SPECIFICATION SECTION 9-05.15 AND 9-05.15(2) FOR ADDITIONAL REQUIREMENTS.
3. DOMESTICALLY MANUFACTURED STORMWATER BASIN GRATES SHALL BE USED IN THE CITY RIGHT-OF-WAY.



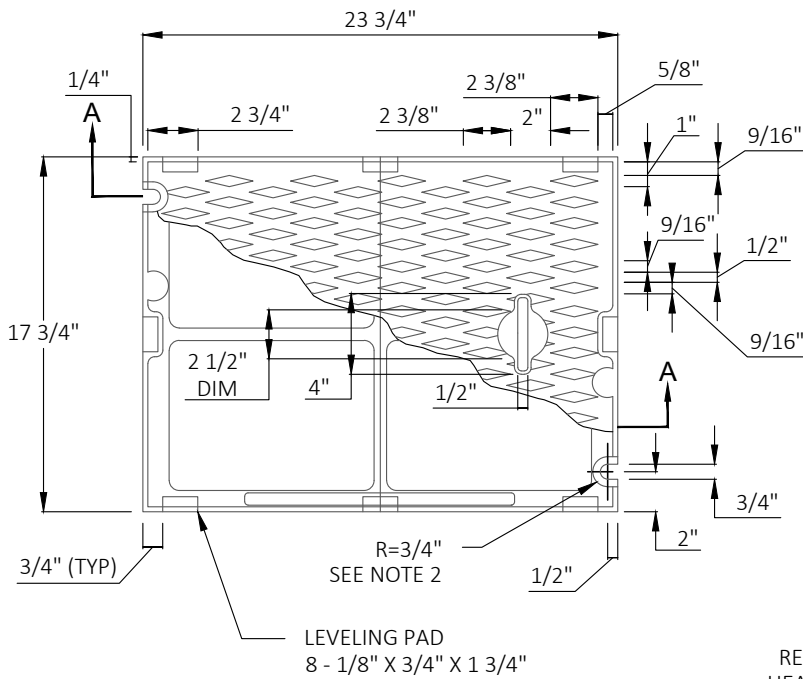
PUBLICATION DATE: **3/1/2022**

REVISION DATE: **2/10/2021**

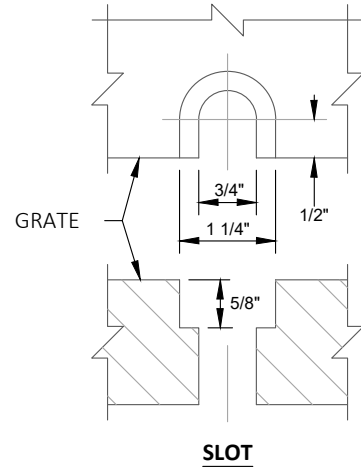
STANDARD DETAIL NUMBER: **730**

SCALE: **NOT TO SCALE**

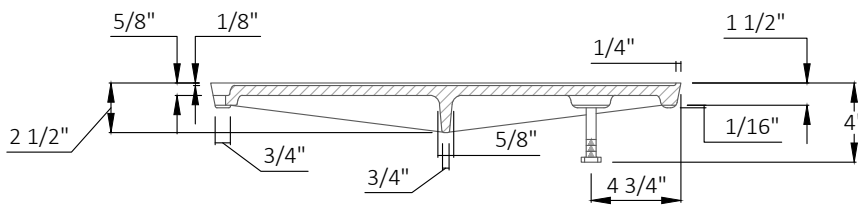
RECTANGULER FRAME



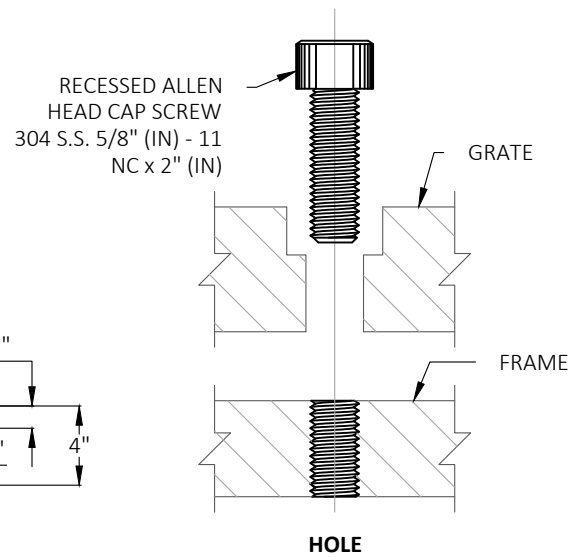
PLAN



SLOT



SECTION A-A

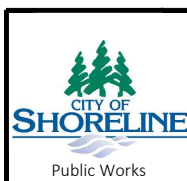


**HOLE
BOLT-DOWN DETAILS**

SEE NOTE 1

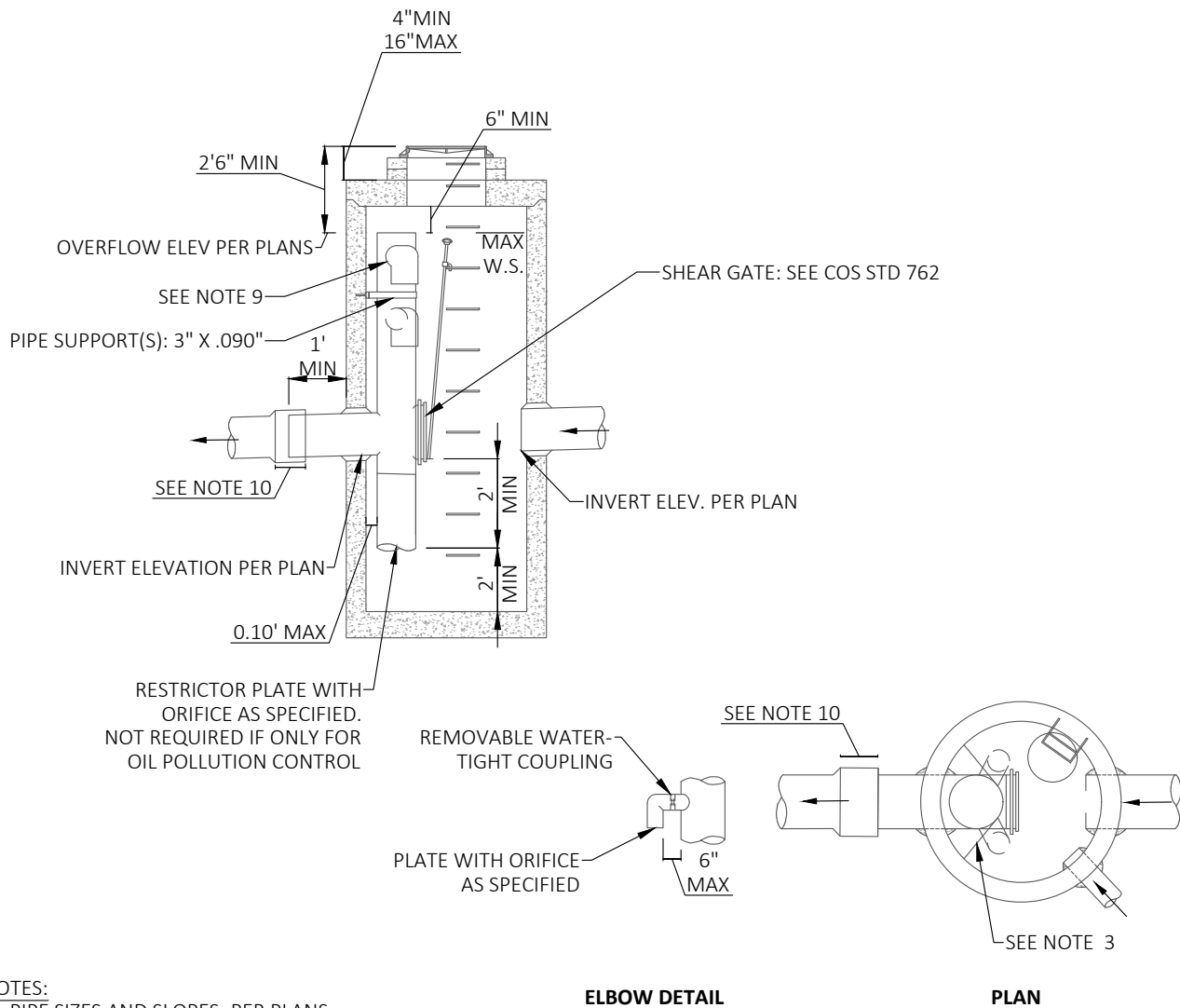
NOTES:

1. BOLT-DOWN CAPABILITY IS REQUIRED ON ALL FRAMES, GRATES, AND COVERS, UNLESS SPECIFIED OTHERWISE IN THE CONTRACT. PROVIDE 2 HOLES IN THE FRAME THAT ARE VERTICALLY ALIGNED WITH THE GRATE OR COVER SLOTS. THE FRAME SHALL ACCEPT THE 304 STAINLESS STEEL (S.S.) 5/8" (IN) - 11 NC x 2" (IN) ALLEN HEAD CAP SCREW BY BEING TAPPED, OR OTHER APPROVED MECHANISM. LOCATION OF BOLT-DOWN HOLES VARIES BY MANUFACTURER.
4. ALTERNATIVE REINFORCING DESIGNS ARE ACCEPTABLE IN LIEU OF THE RIB DESIGN.
5. REFER TO STANDARD SPECIFICATION SECTION 9-05.15 AND 9-05.15(2) FOR ADDITIONAL REQUIREMENTS.
6. FOR FRAME DETAILS, SEE COS STD 730.



PUBLICATION DATE: 3/1/2022	REVISION DATE: 2/10/2021
STANDARD DETAIL NUMBER: 731	SCALE: NOT TO SCALE

RECTANGULAR SOLID METAL COVER

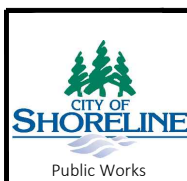


NOTES:

1. PIPE SIZES AND SLOPES: PER PLANS.
2. EXCEPT AS SHOWN OR NOTED, UNITS SHALL BE CONSTRUCTED IN ACCORDANCE WITH THE REQUIREMENTS FOR CATCH BASIN TYPE 2, 54" MIN DIA.
3. PIPE SUPPORTS SHALL BE STAINLESS STEEL, AND BE ANCHORED AT 3' MAX. SPACING BY 5/8" DIA STAINLESS STEEL EXPANSION BOLTS OR EMBEDDED 2" IN WALL. ONE STRAP ABOVE AND BELOW OUTLET REQUIRED, INTERMEDIATE STRAPS REQUIRED FOR RESTRICTOR RISERS GREATER THAN 12' ABOVE OUTLET.
4. THE RESTRICTOR/SEPARATOR SHALL BE FABRICATED FROM .060" ALUMINUM, OR .064" ALUMINIZED STEEL.
5. OUTLET SHALL BE CONNECTED TO CULVERT OR STORM DRAIN WITH A STANDARD COUPLING BAND FOR CORRUGATED METAL PIPE, OR GROUTED INTO THE BELL OF CONCRETE PIPE.
6. THE VERTICAL RISER STEM OF THE RESTRICTOR/SEPARATOR SHALL BE THE SAME DIA AS THE HORIZONTAL OUTLET PIPE, WITH AN 8" MIN. DIA.
9. IF METAL OUTLET PIPE CONNECTS TO CEMENT CONCRETE PIPE: OUTLET PIPE TO HAVE SMOOTH O.D. EQUAL TO CONCRETE PIPE I.D. LESS 1/4".
10. MULTI-ORIFICE ELBOWS MAY BE LOCATED AS SHOWN OR ALL ON ONE SIDE OF RISER TO ASSURE LADDER CLEARANCE.
11. BAND STRAP WITH GASKET.

ELBOW DETAIL

PLAN



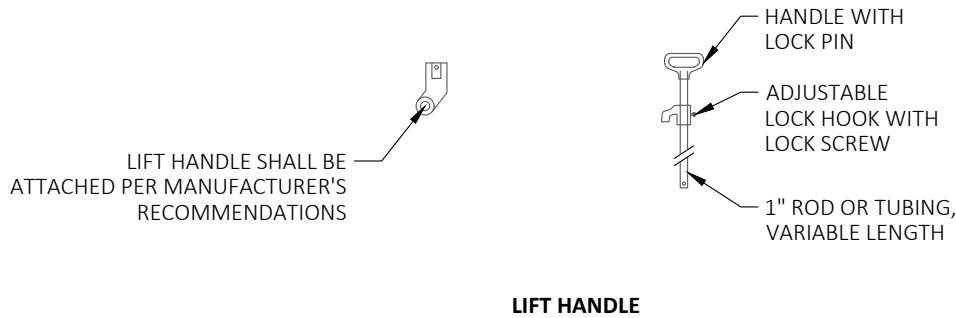
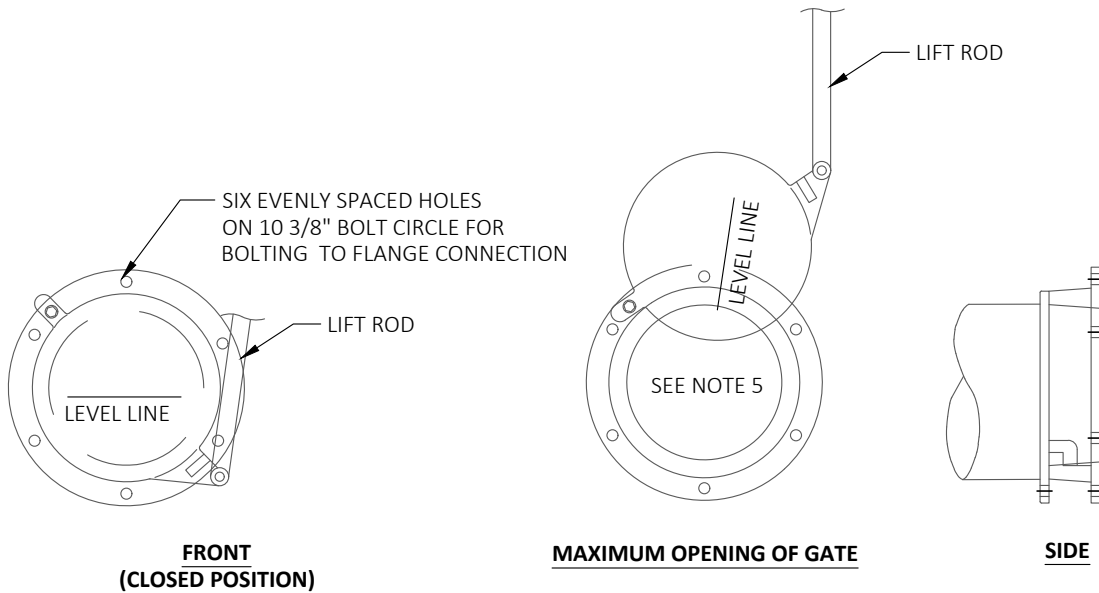
PUBLICATION DATE: **3/1/2022**

REVISION DATE: **2/11/2020**

STANDARD DETAIL NUMBER: **761**


SCALE: **NOT TO SCALE**

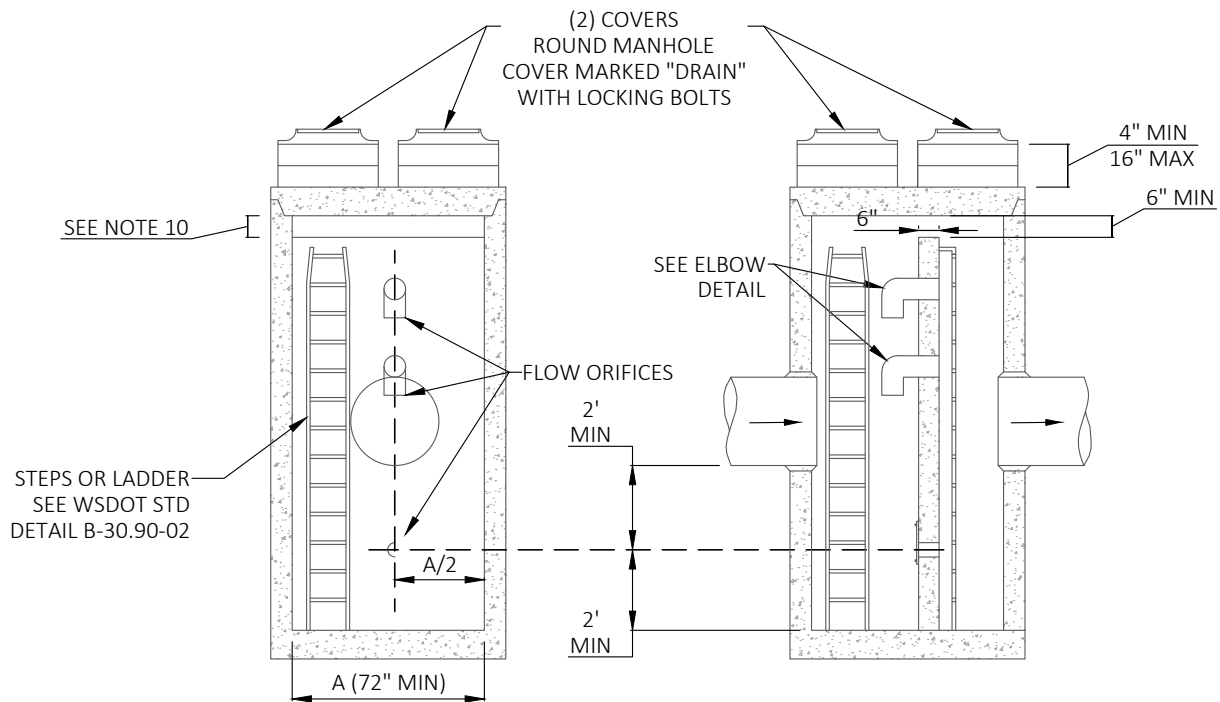
FLOW RESTRICTOR



NOTES:

1. SHEAR GATE SHALL BE ALUMINUM ALLOY PER ASTM B-26-ZG-32a OR CAST IRON ASTM A48 CLASS 308 AS REQUIRED.
2. GATE SHALL BE 8" DIAMETER UNLESS OTHERWISE SPECIFIED.
3. GATE SHALL BE JOINED TO TEE SECTION BY BOLTING (THROUGH FLANGE) OR WELDED.
4. LIFT ROD: AS SPECIFIED BY MANUFACTURER WITH HANDLE EXTENDING TO WITHIN 1 FOOT OF COVER & ADJUSTABLE HOOK LOCK FASTENED TO FRAME OR UPPER HANDHOLD.
5. GATE SHALL NOT OPEN BEYOND THE CLEAR OPENING BY LIMITED HINGE MOVEMENT, STOP TAB, OR SOME OTHER DEVICE.
6. NEOPRENE RUBBER GASKET REQUIRED BETWEEN RISER MOUNTING FLANGE AND GATE FLANGE.
7. MATING SURFACES OF LID AND BODY TO BE MACHINED FOR PROPER FIT.
8. FLANGE MOUNTING BOLTS SHALL BE 3/8" DIAMETER STAINLESS STEEL.
9. ALTERNATIVE CLEANOUT/SHEAR GATES TO THE DESIGN SHOWN ARE ACCEPTABLE, PROVIDED THEY MEET THE MATERIAL SOECIFICATIONS ABOVE AND HAVE A SIX BOLT, 10 3/8" BOLT CIRCLE FOR BOLTING TO THE FLANGE CONNECTION.

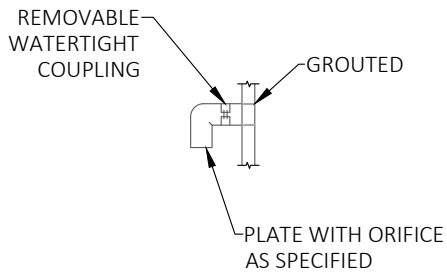
	PUBLICATION DATE: 3/1/2022	REVISION DATE: 2/11/2020
	STANDARD DETAIL NUMBER: 762	SCALE: NOT TO SCALE
SHEAR GATE		



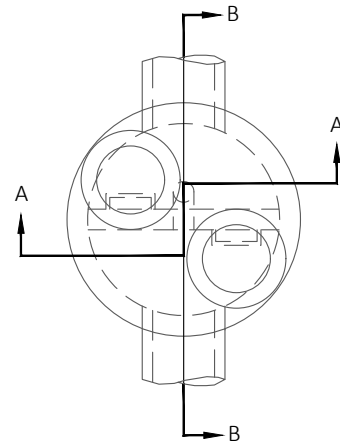
SECTION A-A

SECTION B-B

ELEVATION



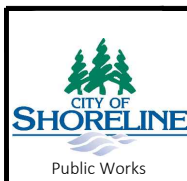
ELBOW DETAIL



PLAN

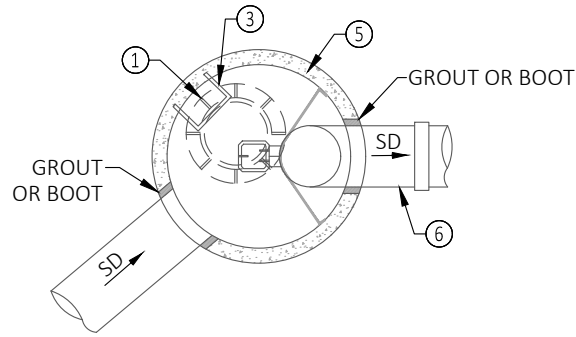
NOTES:

1. PIPE SIZE, SLOPES, AND ALL ELEVATIONS: PER PLANS.
2. OUTLET CAPACITY: NOT LESS THAN COMBINED INLETS.
3. CATCH BASIN: TYPE 2 TO BE CONSTRUCTED IN ACCORDANCE WITH WSDOT STD DETAIL B-10.20-02& AASHTO M199 UNLESS OTHERWISE SPECIFIED.
4. COVERS: ROUND, SOLID MARKED "DRAIN" WITH LOCKING BOLTS. SEE WSDOT STD DETAIL B-30.70-04.
5. ORIFICES: SIZED & LOCATED AS REQUIRED, WITH LOWEST ORIFICE MIN 2" FROM BASE.
6. BAFFLE WALL SHALL HAVE #4 REINFORCEMENT BAR AT 12" SPACING EACH WAY.
7. PRECAST BAFFLE WALL SHALL BE KEYED & GROUDED IN PLACE.
8. BOTTOM ORIFICE PLATE TO BE 1/4" MIN ALUMINUM & ATTACHED WITH 1/2" STAINLESS STEEL BOLTS. OMIT ORIFICE PLATE ID ONLY FOR OIL SEPARATION.
9. THE RESTRICTOR/SEPARATOR SHALL BE FABRICATED FROM .060" ALUMINUM.

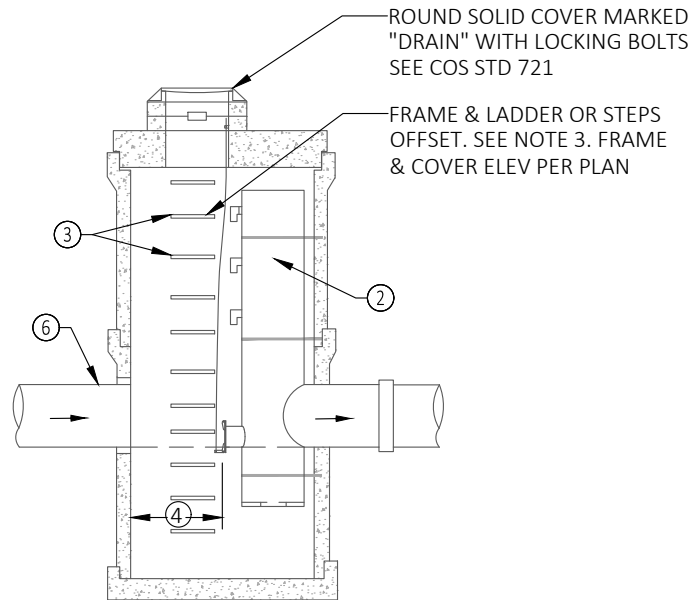


PUBLICATION DATE: 3/1/2022	REVISION DATE: 2/11/2020
STANDARD DETAIL NUMBER: 763	SCALE: NOT TO SCALE

FLOW RESTRICTOR (BAFFLE)



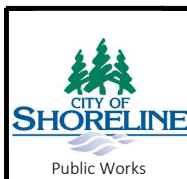
PLAN



ELEVATION

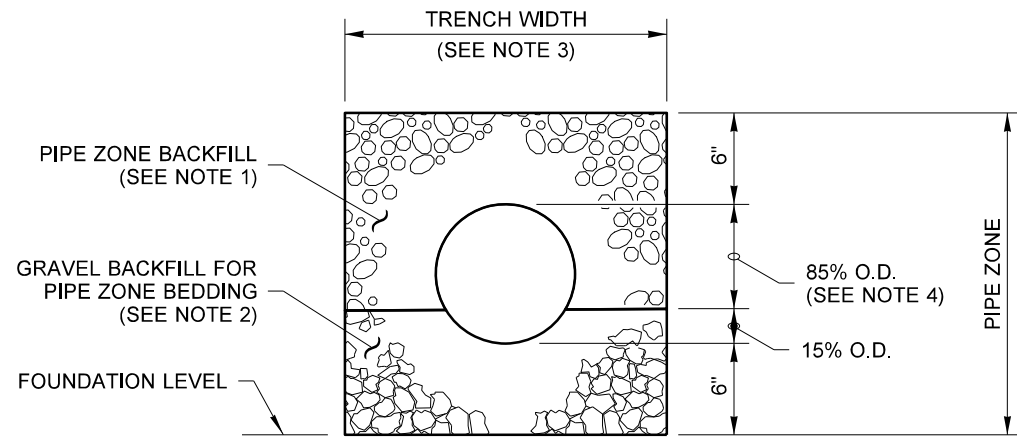
NOTES:

- ①. INSTALL 1-24" DIA MH ACCESS PER WSDOT STD DETAIL B-30.90-02, SO THAT THE LIFT GATE IS VISIBLE AND THE STEPS ARE CLEAR AND DIRECTLY ACCESSIBLE.
- ②. FLOW RESTRICTOR UNIT - SEE COS STD 761.
- ③. POLYPROPYLENE PLASTIC STEP OR LADDER, SEE WSDOT STD DETAIL B-30.90-02, OFFSET STEPS OR LADDER FROM FRAME SO THAT:
 - A. CLEANOUT GATE IS VISIBLE FROM TOP.
 - B. CLIMB DOWN SPACE IS CLEAR OF RISER AND CLEANOUT GATE.
 - C. FRAME IS CLEAR OF CURB.
- ④. MIN CLEARANCE: 36" FOR OUTLETS OF 24" AND LARGER 18" FOR OUTLETS OF 18" AND SMALLER.
- ⑤. 54" OR 60" TYPE 2 CB.
- ⑥. SEE PLAN AND SPECIFICATIONS FOR SIZE AND TYPE OF PIPES ENTERING AND EXITING CB.

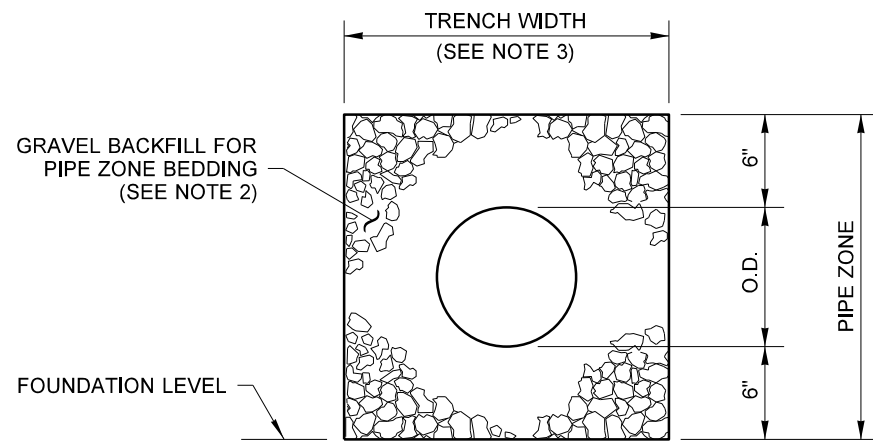


PUBLICATION DATE: 3/1/2022	REVISION DATE: 2/11/2020
STANDARD DETAIL NUMBER: 771	SCALE: NOT TO SCALE

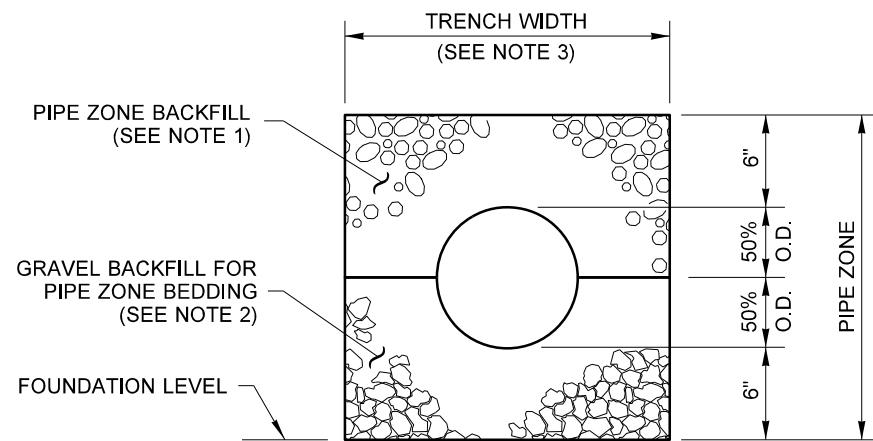
CONTROL STRUCTURE



CONCRETE AND DUCTILE IRON PIPE



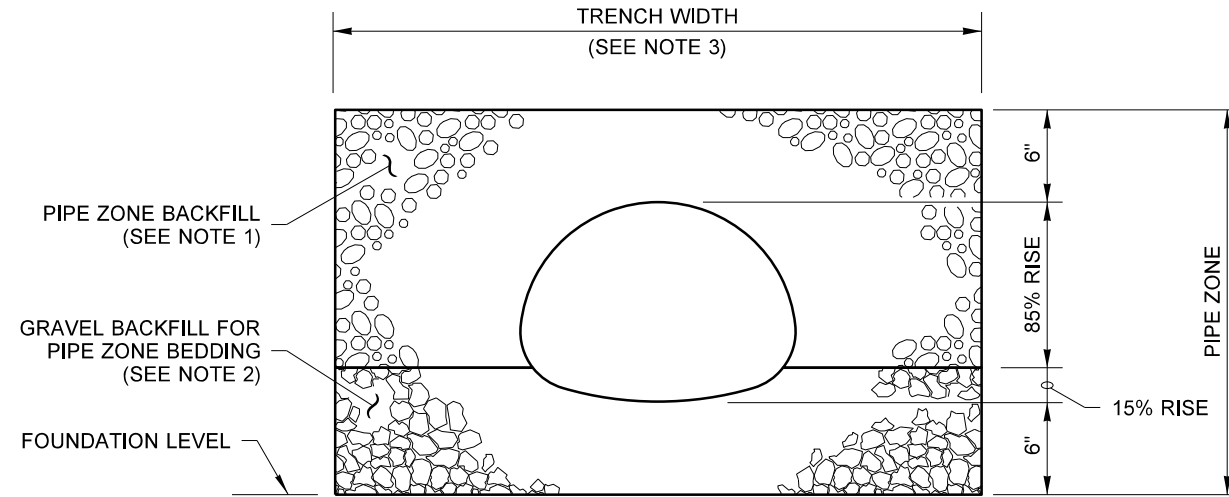
THERMOPLASTIC PIPE



METAL AND STEEL RIB REINFORCED POLYETHYLENE PIPE

NOTES

1. See **Standard Specifications Section 7-08.3(3)** for Pipe Zone Backfill.
2. See **Standard Specifications Section 9-03.12(3)** for Gravel Backfill for Pipe Zone Bedding.
3. See **Standard Specifications Section 2-09.4** for Measurement of Trench Width.
4. For sanitary sewer installation, concrete pipe shall be bedded to spring line.



PIPE ARCHES

CLEARANCE BETWEEN PIPES FOR MULTIPLE INSTALLATIONS		
PIPE	SIZE	MINIMUM DISTANCE BETWEEN BARRELS
CIRCULAR PIPE (DIAMETER)	UP TO 48"	24"
METAL PIPE ARCH (SPAN)	48" AND LARGER	DIAMETER/2 OR 36" WHICHEVER IS LESS



Heilman, Julie
Feb 20 2018 12:56 PM

PIPE ZONE BEDDING AND BACKFILL
STANDARD PLAN B-55.20-02

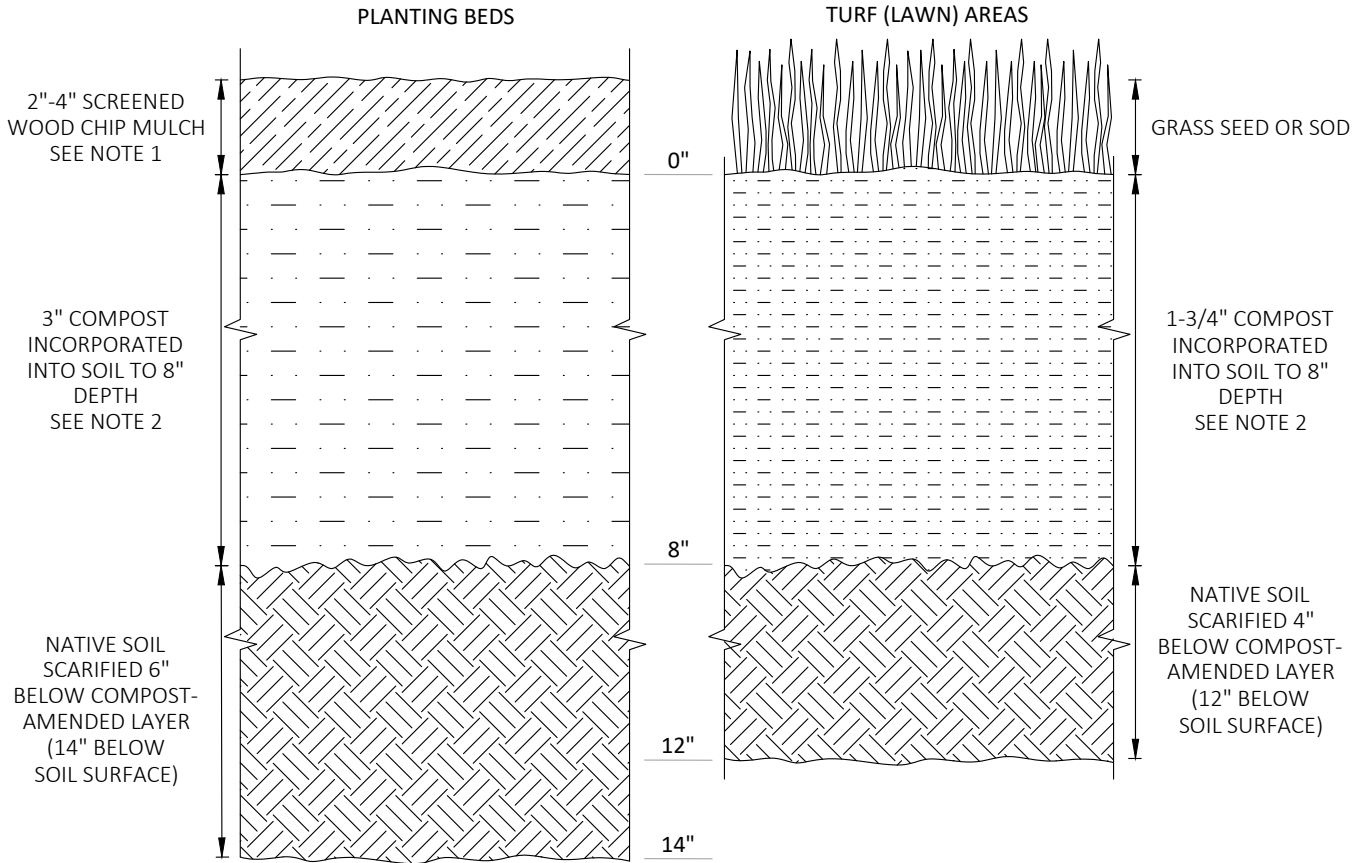
SHEET 1 OF 1 SHEET

APPROVED FOR PUBLICATION

Carpenter, Jeff
Feb 27 2018 8:01 AM

STATE DESIGN ENGINEER

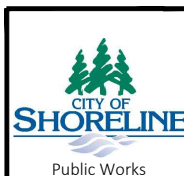




SECTION VIEW

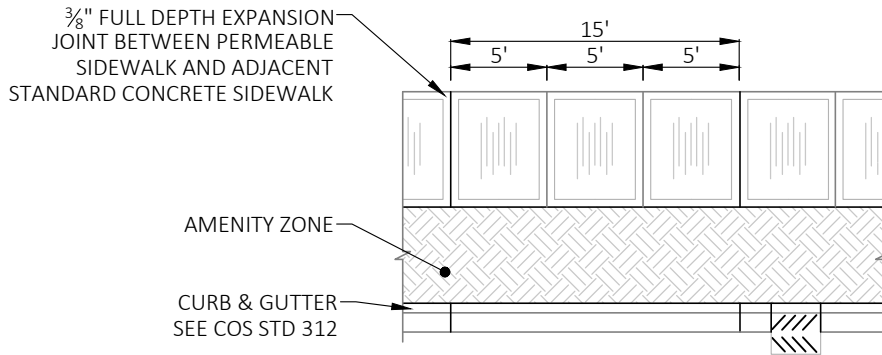
NOTES:

1. WOOD CHIP MULCH SHALL MEET WSDOT STD SPEC 9-14.5(3).
2. COMPOST SHALL MEET WSDOT STD SPEC 9-14.5(8).
3. ALL SOIL AREAS DISTURBED OR COMPACTED DURING CONSTRUCTION AND NOT COVERED BY BUILDINGS OR PAVEMENT SHALL BE AMENDED WITH COMPOST TO A MINIMUM 8" DEPTH. SUBSOIL SHALL SCARIFIED 4" BELOW THAT COMPOST-AMENDED LAYER FOR A FINISHED 12" OF UN-COMPACTED DEPTH IN ALL LANDSCAPE AREAS.
4. COMPOST SHALL BE TILLED INTO 8" DEPTH INTO EXISTING SOIL, OR PLACE 8" OF COMPOST-AMENDED SOIL, PER SOIL SPECIFICATION. SUBSOIL SHALL BE SCARIFIED (LOOSENE) BELOW AMENDED LAYER TO PRODUCE OF UN-COMPACTED SOIL, EXCEPT WHERE SCARIFICATION WOULD DAMAGE TREE ROOTS.
5. TURF AREAS SHALL RECEIVE 1.75" OF COMPOST TILLED INTO 8" DEPTH, OR PLACE 8" OF IMPORTED SOIL CONTAINING 20-25% COMPOST BY VOLUME. THEN PLANT GRASS SEED OR SOD PER SPECIFICATIONS.
6. PLANTING BEDS SHALL RECEIVE 3" OF COMPOST TILLED INTO 8" DEPTH, OR PLACE 8" OF IMPORTED SOIL CONTAINING 35-40% COMPOST BY VOLUME. MULCH AFTER PLANTING, WITH 2-4" OF ARBORIST WOOD CHIP MULCH OR APPROVED EQUAL.
7. RAKE BEDS TO SMOOTH AND REMOVE SURFACE ROCKS LARGER THAN 2" DIAMETER.
8. DO NOT SCARIFY WITHIN DRIPLINE OF EXISTING TREES TO BE RETAINED OR WHERE SCARIFICATION WOULD DAMAGE TREE ROOTS. DO NOT COMPACT WITHIN TREE PROTECTION ZONES.
9. RECOMMENDED SEED MIX FOR HILLSIDES AND LOW-FOOT TRAFFIC AMENITY ZONES IS PT 702. FOR HIGHER FOOT-TRAFFIC AREAS, USE PT 755, OR APPROVED EQUAL.

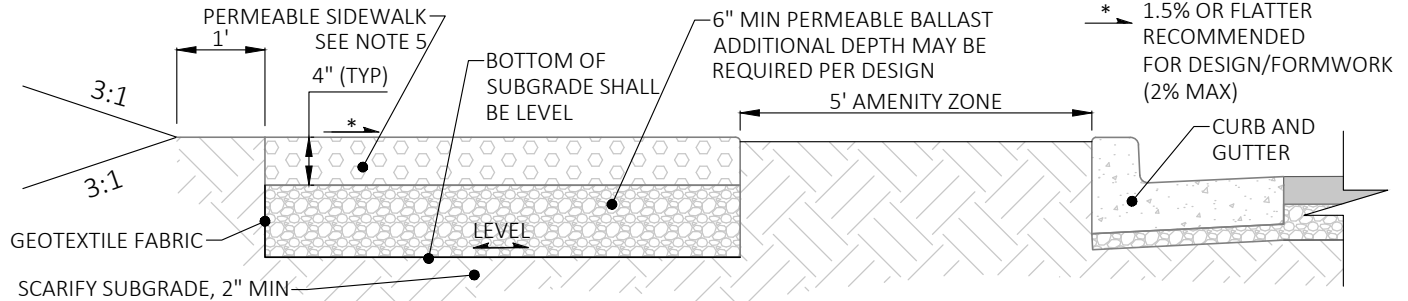


PUBLICATION DATE: 3/1/2022	REVISION DATE: 2/11/2020
STANDARD DETAIL NUMBER: 774	SCALE: NOT TO SCALE

SOIL AMENDMENT AND DEPTH



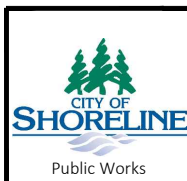
PLAN VIEW - PERMEABLE SIDEWALK



PERMEABLE SIDEWALK SECTION

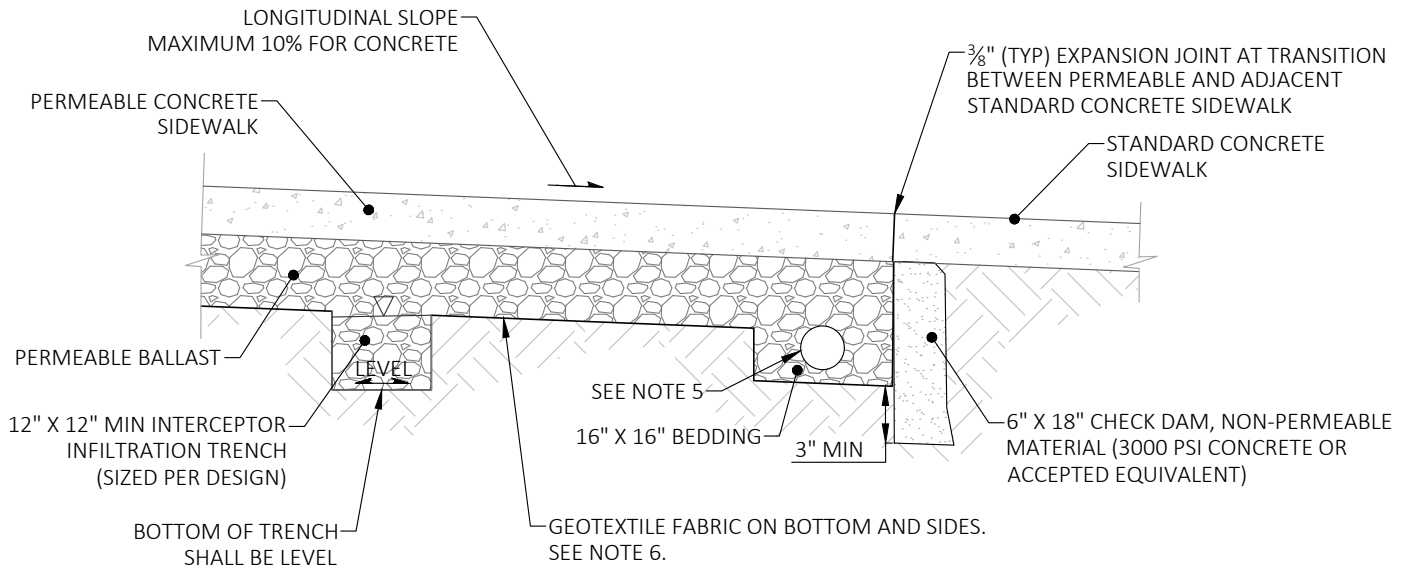
NOTES:

1. REFER TO COS STD 309 FOR JOINT REQUIREMENTS.
2. SIDEWALK SHALL BE ADA COMPLIANT.
3. PERVIOUS CONCRETE SHALL BE INSTALLED BY A CERTIFIED PERVIOUS CONCRETE INSTALLER (NRMCA OR EQUIVALENT).
4. LIDS FOR JUNCTION BOXES AND UTILITY VAULTS SHALL BE NON-SKID, FLUSH WITH THE SURFACE, AND MATCH THE GRADE OF THE SIDEWALK.
5. CONCRETE SHALL CONFORM TO ALL REQUIREMENTS OF ACI 522.1-13 SPECIFICATION FOR PERVIOUS CONCRETE PAVEMENT. CONCRETE MIX SHALL MEET THE FOLLOWING:
 - a. 100% PASSING 3/8" SIEVE
 - b. WATER/CM RATION BETWEEN 0.28-0.35
 - c. MINIMUM INFILTRATION RATE OF 100 INCHES/HOUR PER ASTM C1701
6. PERMEABLE SIDEWALK SHALL BE TESTED PRIOR TO ACCEPTANCE. ONE TEST PER 2500 SF AREA MINIMUM. TESTING SHALL MEET ASTM C1701 AND SHALL MEET A MINIMUM RATE OF 100 INCHES/HOUR.
7. REMOVAL/REPLACEMENT OF PERMEABLE SIDEWALK SHALL BE FROM EXPANSION JOINT TO EXPANSION JOINT UNLESS OTHERWISE DIRECTED BY THE CITY ENGINEER.
8. PERMEABLE SIDEWALK SHALL BE PROTECTED FROM RUNOFF AND SEDIMENT UNTIL THE SIDEWALK IS CURED AND ALL ADJACENT AREAS ARE PERMANENTLY STABILIZED. CONSTRUCTION VEHICULAR TRAFFIC SHALL NOT BE ALLOWED ONTO THE PERMEABLE SIDEWALK. ALL PERMEABLE SURFACES SHALL BE VACUUMED IMMEDIATELY AFTER SAWCUTTING TO PREVENT CLOGGING.
9. PERMEABLE BALLAST SHALL BE CLEAN, ANGULAR ROCK CONFORMING TO WSDOT STANDARD SPECIFICATION 9-03.9(2).
10. GEOTEXTILE SHALL BE NONWOVEN, MODERATE SURVIVABILITY PER WSDOT STANDARD SPECIFICATION 9-33.2(1).
11. CHECK DAMS ARE REQUIRED ON LONGITUDINAL SUBGRADE SLOPES OF GREATER THAN 2%. SEE COS STD 776.
12. TO PREVENT COMPACTION, INSTALL THE AGGREGATE BASE IN THE FOLLOWING MANNER (BACK DUMPING):
DUMP AGGREGATE BASE ONTO SUBGRADE FROM THE EDGE OF THE INSTALLATION, THEN PUSH IT OUT ONTO THE SUBGRADE. DUMP SUBSEQUENT LOADS FROM ON TOP OF THE AGGREGATE BASE AS THE INSTALLATION PROGRESSES.

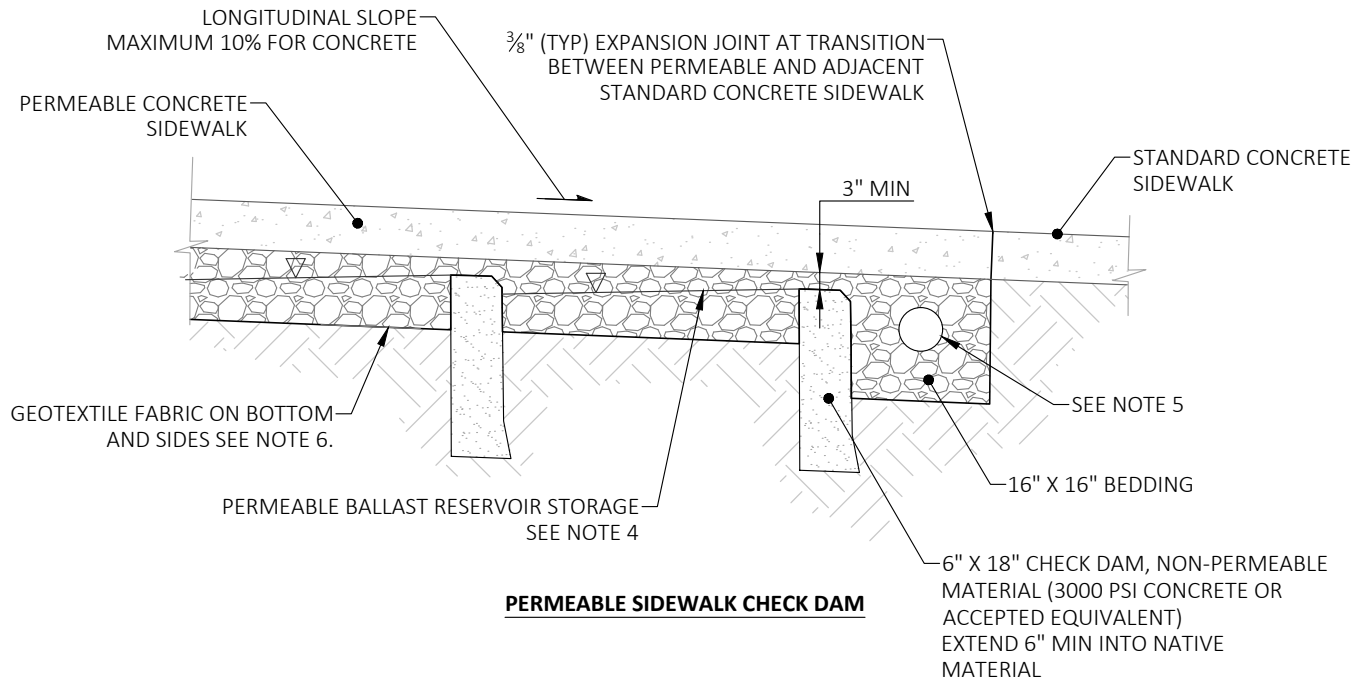


PUBLICATION DATE: 3/1/2022	REVISION DATE: 2/11/2020
STANDARD DETAIL NUMBER: 775	SCALE: NOT TO SCALE

PERMEABLE SIDEWALK



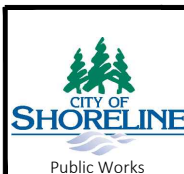
PERMEABLE SIDEWALK INTERCEPTOR TRENCH



PERMEABLE SIDEWALK CHECK DAM

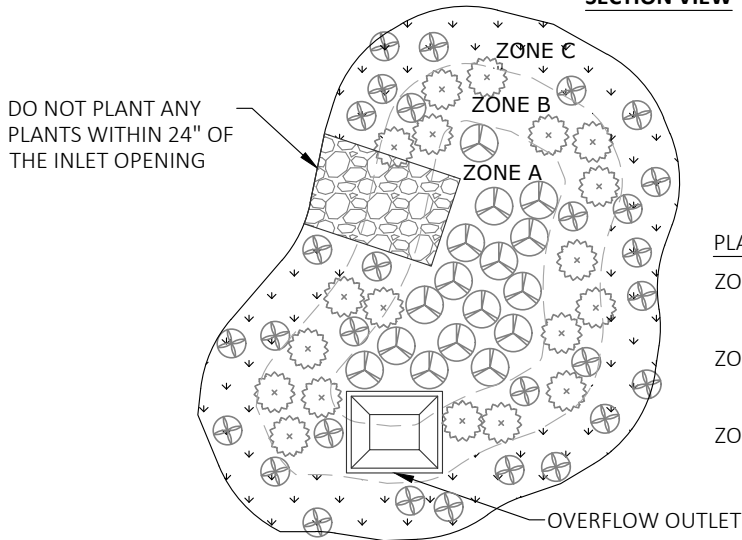
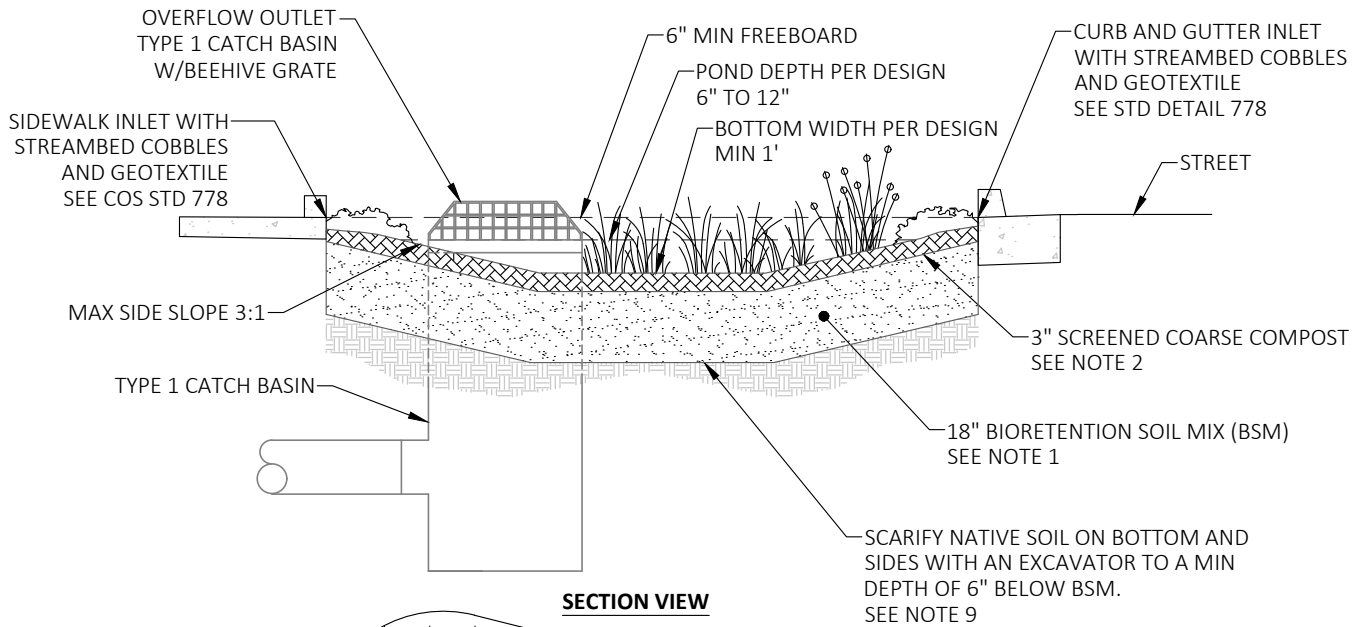
NOTES:

1. CHECK DAM OR INTERCEPTOR TRENCH REQUIRED FOR LONGITUDINAL SUBGRADE SLOPES >2%. TRANSVERSE SLOPE SHALL BE LEVEL.
2. SPACE CHECK DAMS BASED ON SLOPE TO ACHIEVE DESIGN AVERAGE PONDING DEPTH BEFORE OVERTOPPING DA.
3. REFER TO STD DETAIL FOR PERMEABLE SIDEWALK AND RESERVOIR DETAILS.
4. THE STORAGE VOLUME BETWEEN CHECK DAMS SHALL BE BASED ON CHECK DAM HEIGHT AND SPACING FOR MODELING. CHECK DAM HEIGHT AND SUBGRADE SLOPE SHALL BE SPECIFIED ON THE PLANS.
5. 6" PVC PERFORATED PIPE WITH CLEANOUTS AND CONNECTION TO STORM.
6. GEOTEXTILE SHALL BE NONWOVEN, MODERATE SURVIVABILITY PER WSDOT STANDARD SPECIFICATION 9-33.2(1).
7. SIDEWALK SHALL BE ADA COMPLIANT.



PUBLICATION DATE: 3/1/2022	REVISION DATE: 2/11/2020
STANDARD DETAIL NUMBER: 776	SCALE: NOT TO SCALE

PERMEABLE SIDEWALK ON SLOPES

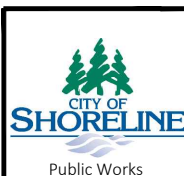


PLANTING ZONES:

- ZONE A: BOTTOM OF FACILITY, AREA WITH FREQUENT STANDING WATER
- ZONE B: LOWER SIDE SLOPE, AREA WITH OCCASIONAL STANDING WATER AND EXTENDED DRIER PERIOD.
- ZONE C: UPPER SIDE SLOPE, DRIEST PORTION OF THE FACILITY.

NOTES:

1. REFER TO PLANS FOR BIORETENTION FACILITY SHAPE, PLANTINGS, ELEVATIONS, SURFACE AREA, CONFIGURATION, AND ADDITIONAL DESIGN FEATURES.
2. BIORETENTION SOIL MIX (BSM) SHALL MEET WSDOT STANDARD SPEC. DO NOT COMPACT BSM.
3. COARSE COMPOST SHALL MEET WSDOT STD SPEC 9-14.5(8).
4. MAXIMUM BOTTOM SLOPE OF CELL IS 0.5%.
5. OVERFLOW POINT SHALL BE AT LEAST 6 INCHES BELOW ANY ADJACENT PAVEMENT AREA.
6. INSTALL 4" STREAMBED COBBLE AT INLET TO DISSIPATE RUNOFF. SEE COS STD 778.
7. MINIMUM 3 FOOT DEPTH BETWEEN BOTTOM OF BSM AND WATER TABLE.
8. MINIMUM SETBACK OF 5 FEET FROM TOP OF BIORETENTION CELL TO BUILDING STRUCTURES AND PROPERTY LINES. DO NOT LOCATE IMMEDIATELY UP SLOPE OF BUILDING STRUCTURES.
9. AVOID COMPACTION OF NATIVE SOIL BELOW FACILITY DURING CONSTRUCTION. DO NOT OPERATE HEAVY EQUIPMENT WITHIN THE FACILITY FOOTPRINT. DO NOT PLACE OR AMEND BSM WHEN THE GROUND IS FROZEN OR WHEN THE SOIL IS EXCESSIVELY WET.
10. FOR FACILITIES IN THE RIGHT-OF-WAY, REFER TO EDM APPENDIX K FOR APPROVED PLANTS IN EACH ZONE.



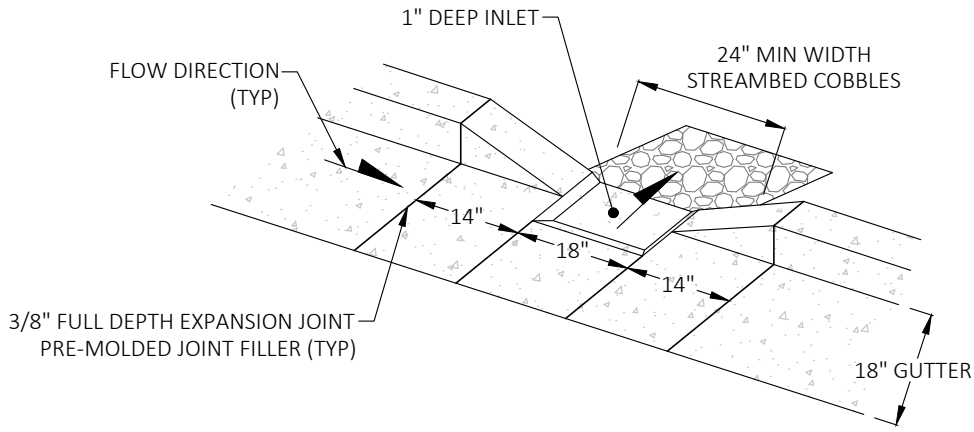
PUBLICATION DATE: **3/1/2022**

REVISION DATE: **2/11/2020**

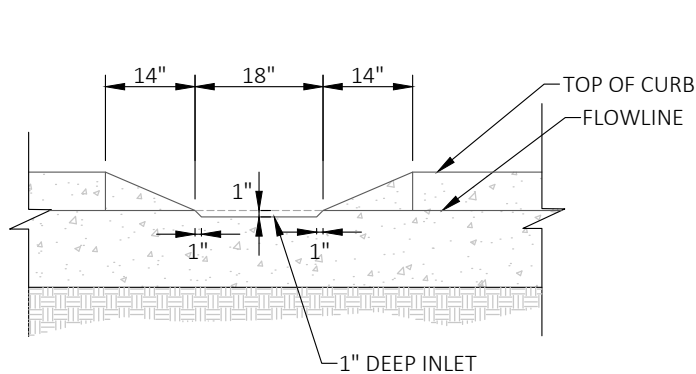
STANDARD DETAIL NUMBER: **777**

SCALE: **NOT TO SCALE**

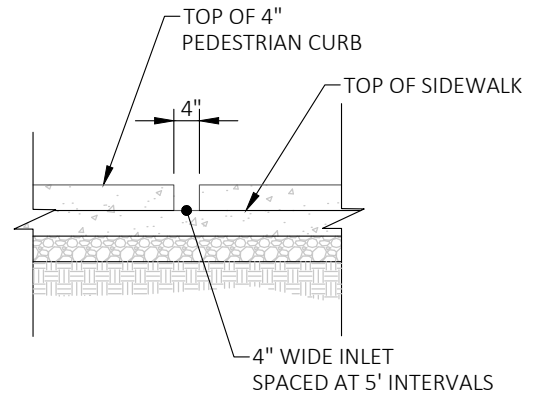
BIORETENTION FACILITY



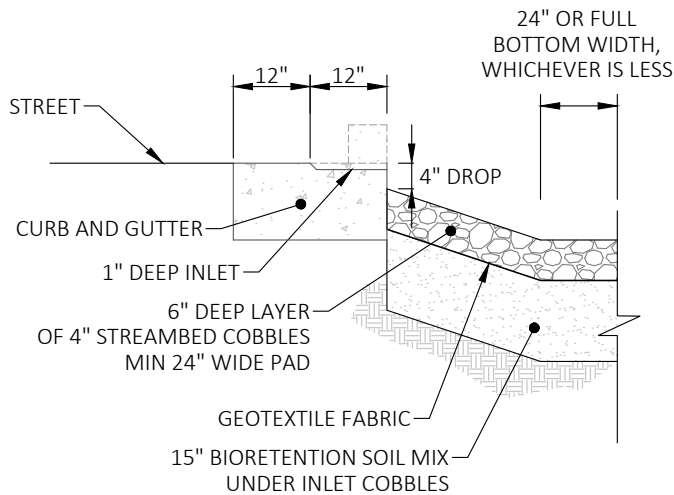
CURB AND GUTTER INLET



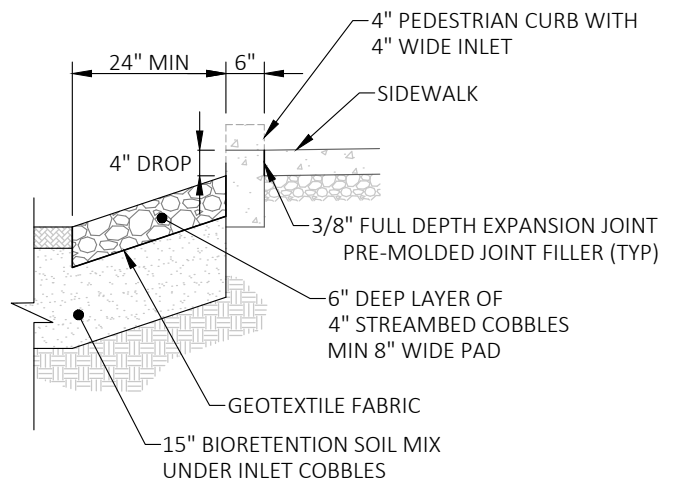
FLOWLINE VIEW - CURB AND GUTTER INLET



FLOWLINE VIEW - SIDEWALK INLET



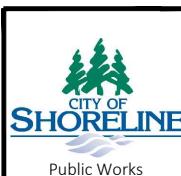
SECTION VIEW - CURB AND GUTTER INLET



SECTION VIEW - SIDEWALK INLET

NOTES:

1. REFER TO COS STD 777 FOR BIORETENTION FACILITY DETAILS.
2. PROVIDE 4" MIN DROP FROM GUTTER OR SIDEWALK ELEVATION.
3. GEOTEXTILE SHALL BE NONWOVEN, MODERATE SURVIVABILITY PER WSDOT STANDARD SPECIFICATION 9-33.2(1).



PUBLICATION DATE: 3/1/2022	REVISION DATE: 2/11/2020
STANDARD DETAIL NUMBER: 778	SCALE: NOT TO SCALE

BIORETENTION INLET