



Planning and
 Development Services
 17544 Midvale Ave. N.
 Shoreline, WA 98133-4921
 (206) 801-2500
 Fax (206) 546-8761
 pds@ci.shoreline.wa.us
 www.cityofshoreline.com

Efficient Outdoor Lighting

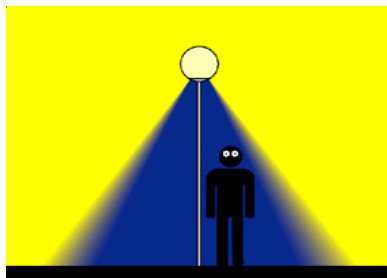
A Positive Alternative for Everyone

Efficient outdoor lighting means that we all can save energy and money and still provide a safe and secure night time environment. Controlled, effective, and economical lighting at home or at a business will offer the same safety, security, and visibility you are used to, while saving you money and reducing wasted energy.

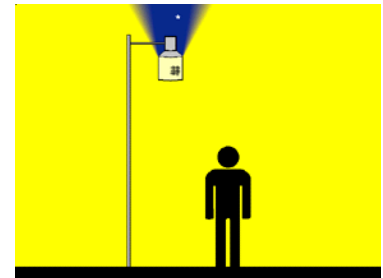
The Problem with Outdoor Lighting

When outdoor lighting is not well-designed or properly installed, it can cause many problems ranging from extensive costs, inefficient energy use, glare and harm to the night time environment. Four of the major consequences of poor outdoor lighting are:

- Glare
- Light Trespass
- Energy Waste
- Sky Glow



Example of the effects of poor lighting

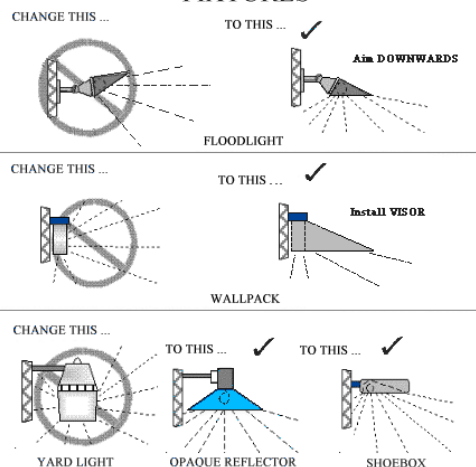


Example of the effects of poor lighting

How to Improve Your Own Light Fixtures

You can improve your light fixtures by refocusing the light away from areas where it is not needed. This can be done by repositioning the light or simply by adding a hood or visor to the light in order to shift where the light is shining.

MODIFYING EXISTING FIXTURES



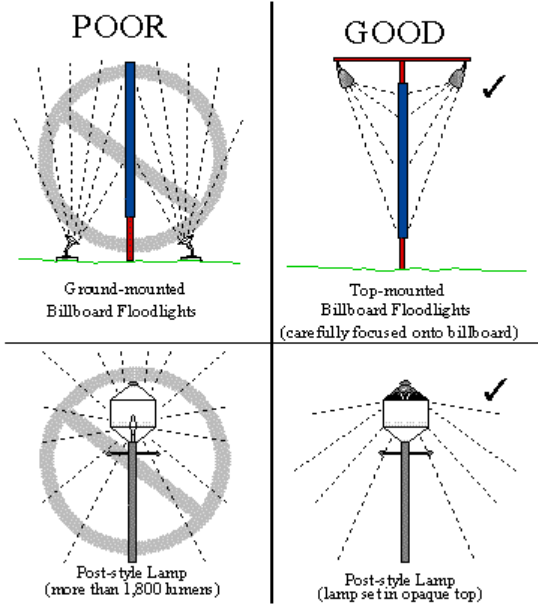
Note: This handout is for informational use only and is not to be substituted for the Shoreline Development Code.

Shoreline
 Development Code 20.50.115
 20.50.260
 20.50.410
 20.50.540(G)

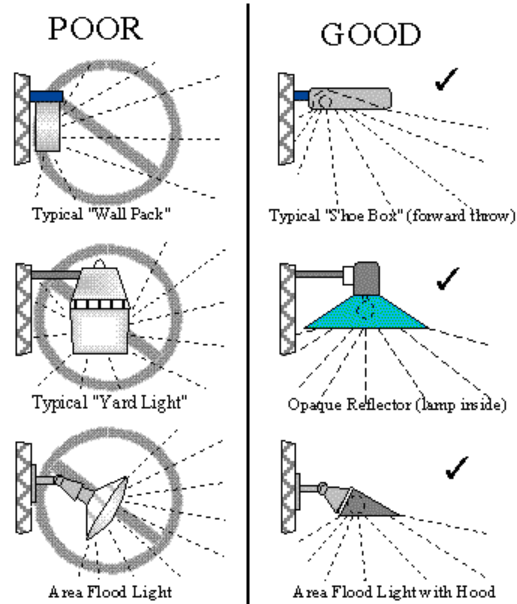
Efficient Alternatives

Good outdoor lighting means that we can save money, energy and enhance the surrounding environment. Many common fixtures inefficiently waste light and energy by distributing light where it is unnecessary and not useful.

EXAMPLES OF SOME COMMON LIGHTING FIXTURES



EXAMPLES OF SOME COMMON LIGHTING FIXTURES



17544 Midvale Avenue North, Shoreline, Washington 98133-4921

Telephone (206) 801-2500 Fax (206) 546-8761 pds@ci.shoreline.wa.us

The Municipal Code (Title 15 Buildings and Construction) can be reviewed at mrsc.org

